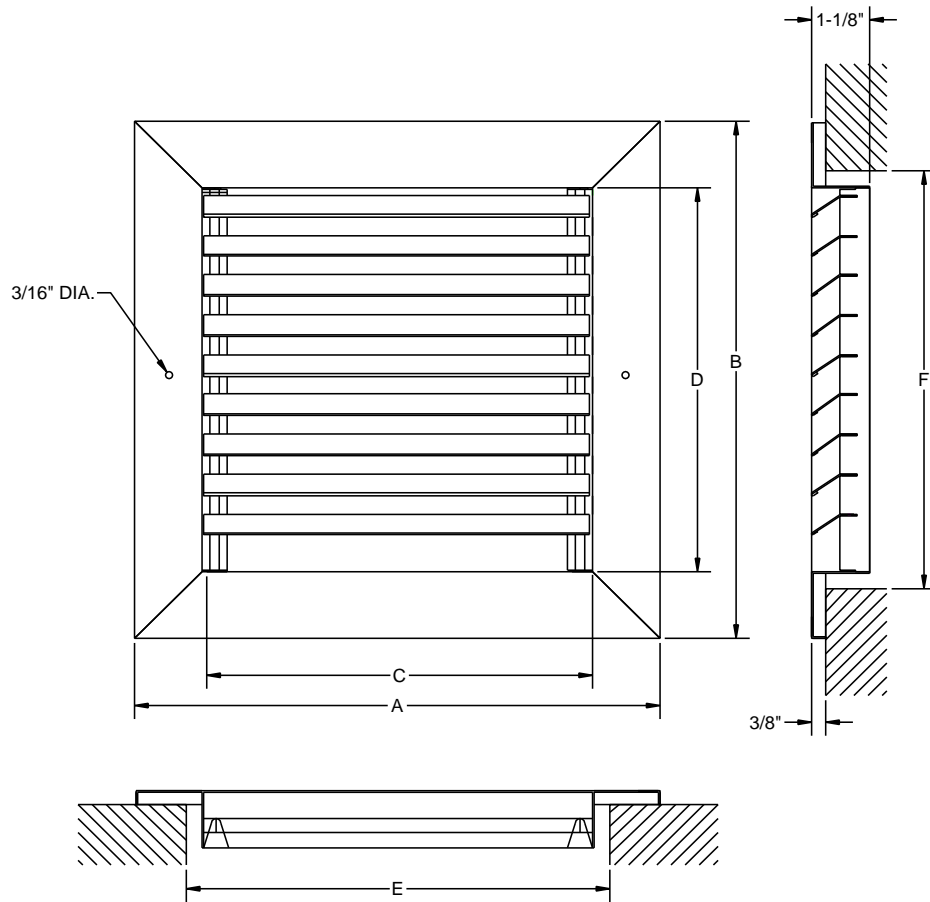




MFHFB SERIES HORIZONTAL FIXED BAR GRILLE SPECIFICATION CHART



- Heavy Gauge Steel Construction
- 3/4" Louver Spacing
- Reinforced Mitered Corners
- Rigid Bar Face
- Finish: White

Horizontal Fixed Bar Grille Dimensional Chart

Size (ExF)	Dimensions (See Detail Sketches)				Size (ExF)	Dimensions (See Detail Sketches)			
	A	B	C	D		A	B	C	D
6x6	7-3/4	7-3/4	5-1/4	5-1/4	20x10	21-3/4	11-3/4	19-1/4	9-1/4
8x8	9-3/4	9-3/4	7-1/4	7-1/4	20x12	21-3/4	13-3/4	19-1/4	11-1/4
10x10	11-3/4	11-3/4	9-1/4	9-1/4	20x14	21-3/4	15-3/4	19-1/4	13-1/4
12x6	13-3/4	7-3/4	11-1/4	5-1/4	24x8	25-3/4	9-3/4	23-1/4	7-1/4
12x12	13-3/4	13-3/4	11-1/4	11-1/4	24x10	25-3/4	11-3/4	23-1/4	9-1/4
14x8	15-3/4	9-3/4	13-1/4	7-1/4	24x12	25-3/4	13-3/4	23-1/4	11-1/4
14x10	15-3/4	11-3/4	13-1/4	9-1/4	24x14	25-3/4	15-3/4	23-1/4	13-1/4
16x16	17-3/4	17-3/4	15-1/4	15-1/4					

Horizontal Fixed Bar Grille

Average Face Velocity		300	400	500	600	700	800	900	1000
6 x 6	cfm	45	60	75	90	105	120	140	155
Ak .17	Ps	0.012	0.020	0.028	0.048	0.060	0.076	0.100	0.132
8 x 8	cfm	85	115	140	170	195	225	255	280
Ak .29	Ps	0.012	0.020	0.028	0.048	0.060	0.076	0.100	0.132
10 x 10	cfm	135	180	230	275	320	365	410	455
Ak .47	Ps	0.012	0.020	0.032	0.044	0.060	0.072	0.096	0.120
12 x 6	cfm	100	130	165	195	230	260	295	325
Ak .34	Ps	0.012	0.020	0.032	0.048	0.060	0.076	0.100	0.128
12 x 12	cfm	200	265	330	400	465	530	600	665
Ak .68	Ps	0.012	0.020	0.032	0.044	0.056	0.072	0.092	0.108
14 x 8	cfm	150	200	250	300	350	400	450	500
Ak .52	Ps	0.012	0.020	0.032	0.044	0.056	0.072	0.096	0.116
14 x 10	cfm	190	255	315	380	445	505	570	635
Ak .65	Ps	0.012	0.020	0.032	0.040	0.056	0.072	0.092	0.112
16 x 16	cfm	335	445	560	670	785	895	1005	1120
Ak 1.20	Ps	0.012	0.020	0.032	0.044	0.060	0.080	0.096	0.116
20 x 10	cfm	275	365	455	550	640	730	820	915
Ak .93	Ps	0.012	0.020	0.032	0.040	0.056	0.076	0.092	0.112
20 x 12	cfm	335	450	560	675	785	900	1010	1125
Ak 1.14	Ps	0.012	0.020	0.032	0.044	0.056	0.080	0.096	0.116
20 x 14	cfm	390	515	645	775	905	1035	1165	1295
Ak 1.31	Ps	0.012	0.020	0.032	0.044	0.060	0.084	0.096	0.116
24 x 8	cfm	270	355	445	535	625	715	805	890
Ak .91	Ps	0.012	0.020	0.032	0.040	0.056	0.076	0.092	0.112
24 x 10	cfm	335	450	560	675	785	900	1010	1120
Ak 1.13	Ps	0.012	0.020	0.032	0.044	0.056	0.080	0.096	0.116
24 x 12	cfm	405	535	670	805	940	1075	1210	1340
Ak 1.36	Ps	0.012	0.020	0.032	0.044	0.060	0.084	0.096	0.120
24 x 14	cfm	475	635	790	950	1105	1265	1425	1580
Ak 1.60	Ps	0.012	0.020	0.032	0.044	0.060	0.084	0.100	0.120

Ps (in. H₂O)