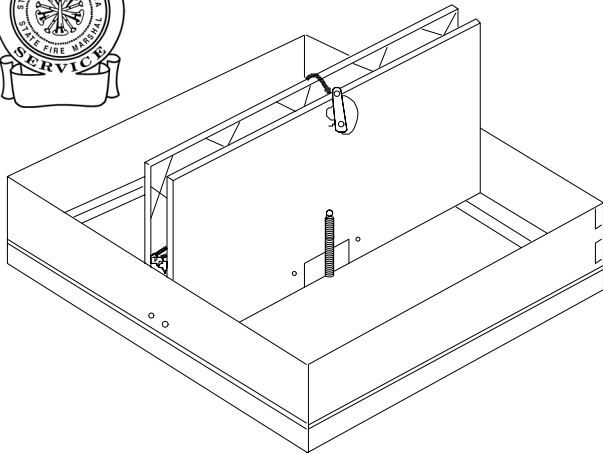




# STATIC BUTTERFLY CEILING RADIATION DAMPER WITH BOOT



UL CLASSIFIED  
(SEE COMPLETE  
MARKING ON PRODUCT)



### DAMPER MODEL MSCDHC:

UL 555C Listed for 3 hours (ULC - S112.2)  
UL Listed for wood joist and open truss ceilings (1-hour).

### UL FLOOR CEILING ASSEMBLIES:

L501, L502, L503, L506, L507, L508, L512, L513, L514, L515, L516,  
L517, L519, L522, L523, L533, L537, L545, L581, L583

### UL ROOF CEILING ASSEMBLIES:

L528, L558, L562, L563, L574, L585, P533, P544, P545, P547

### OPTIONS:

Throat Depth: 6 in or 8 in

BOOT TYPE - S: 30 Ga. Galvanized Steel Straight Boot

BOOT TYPE - L: 30 Ga. Galvanized Steel 90° Boot

BOOT TYPE - E: 30 Ga. Galvanized Steel End Boot

Fusible Link: Replaceable 165°F or 212°F

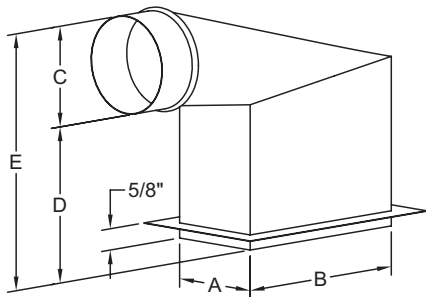
Flanged or Non-Flanged

**BOOT TYPE | THROAT DEPTH | DAMPER |  
BOOT SIZE | COLLAR DIA.**  
EX. L6CD060404

### SIZE LIMITATIONS:

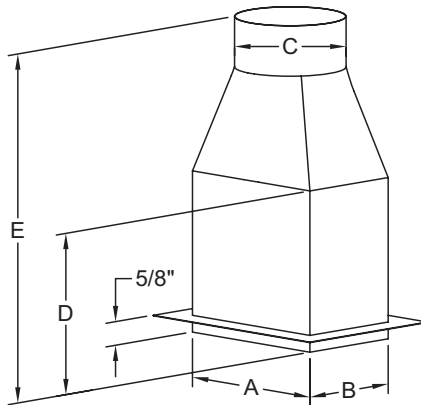
Boot Sizes: Minimum: 6"W x 4"H x 4"Ø  
Maximum: 14"W x 14"H x 10"Ø

**END BOOT**

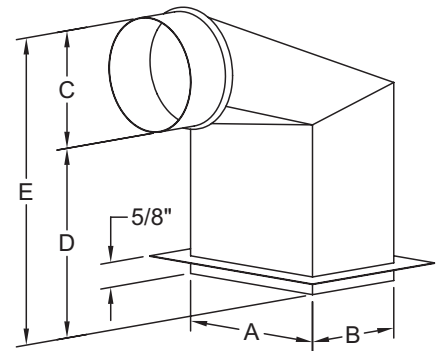


A=Boot Width  
B=Boot Height  
C=Collar Diameter  
D=Throat Depth (6", 8")  
E=Overall Height

**STRAIGHT BOOT**



**L BOOT**



### SUGGESTED SPECIFICATION

Static square and rectangular "ceiling radiation damper/boot assemblies" shall be made by Metal-Fab. Model MSCD ceiling radiation dampers shall bear the Underwriters Laboratories (UL) label. Ceiling radiation damper shall be furnished with a fusible link; damper sizes of 100 square inches and larger will include ceramic fiber, non-asbestos type insulation on the damper blades.

Project:

Contractor:

Location:

Address:

Architect:

P.O. Number:

Engineer:

Date: