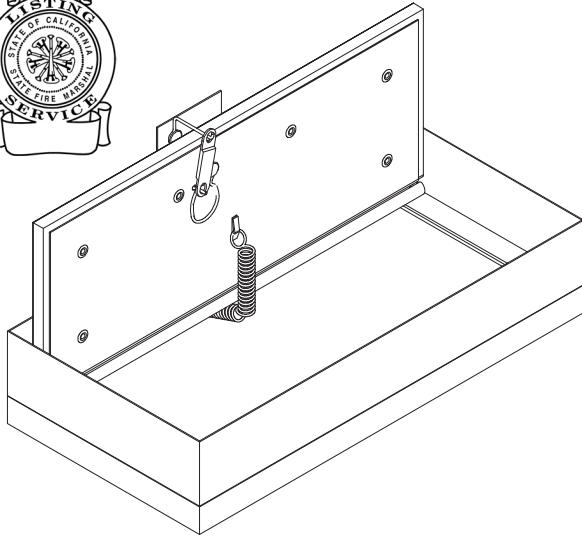




STATIC SINGLE-BLADE CEILING RADIATION DAMPER WITH BOOT



UL CLASSIFIED
(SEE COMPLETE
MARKING ON PRODUCT)



DAMPER MODEL MSCDSBHC:

UL 555C Listed (3-hour) (ULC - S112.2)
UL Listed for wood joist and open truss ceilings (1-hour)

UL FLOOR CEILING ASSEMBLIES:

L501, L502, L503, L506, L507, L508, L512, L513, L514, L515, L516,
L517, L519, L522, L523, L533, L537, L545, L581, L583

UL ROOF CEILING ASSEMBLIES:

L528, L558, L562, L563, L574, L585, P533, P544, P545, P547

OPTIONS:

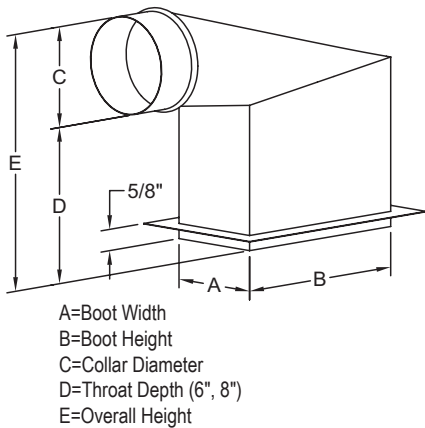
- Throat Depth: 6 in or 8 in
- BOOT TYPE - S: 30 Ga. Galvanized Steel Straight Boot
- BOOT TYPE - L: 30 Ga. Galvanized Steel 90° Boot
- BOOT TYPE - E: 30 Ga. Galvanized Steel End Boot
- Fusible Link: Replaceable 165°F or 212°F
- Flanged or Non-Flanged

**BOOT TYPE | THROAT DEPTH | DAMPER |
BOOT SIZE | COLLAR DIA.
EX. L6CDSB060404**

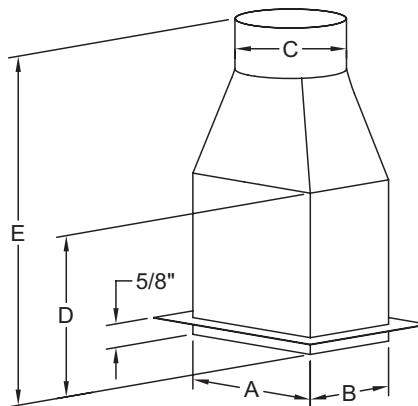
SIZE LIMITATIONS:

Boot Sizes: Minimum: 6" x 4" x 4"Ø
Maximum: 14"W x 8"H x 10"Ø (L Boot & S Boot)
6"W x 12"H x 10"Ø (E Boot)

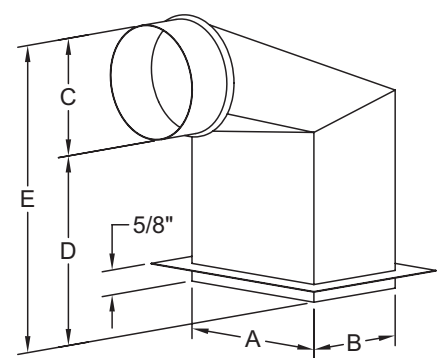
END BOOT



STRAIGHT BOOT



L BOOT



SUGGESTED SPECIFICATION

Static square and rectangle single blade "ceiling radiation damper/boot assemblies" shall be made by Metal-Fab. Model MSCDHCSB ceiling radiation dampers shall bear the Underwriters Laboratories (UL) label. Ceiling radiation damper shall be furnished with a fusible link; damper sizes of 100 square inches and larger will include ceramic fiber, non-asbestos insulation on damper blades.

Project:
Location:
Architect:
Engineer:

Contractor:
Address:
P.O. Number:
Date: