



MODEL: MSCDSBHC
SINGLE-BLADE BUTTERFLY
CEILING RADIATION DAMPER
SQUARE / RECTANGULAR



UL CLASSIFIED
 (SEE COMPLETE MARKING ON PRODUCT)

MODEL MSCDSBHC: UL 555C Listed (3-hour)
 UL Listed for wood joist and
 open truss ceilings (1-hour)

Square or rectangular single-blade, butterfly type.



CSFM LISTED

STANDARD CONSTRUCTION:

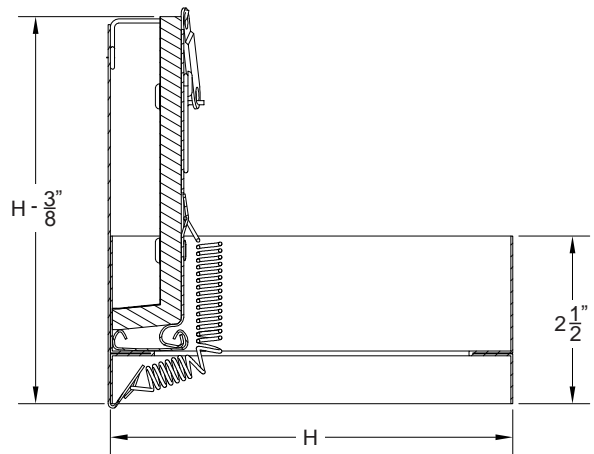
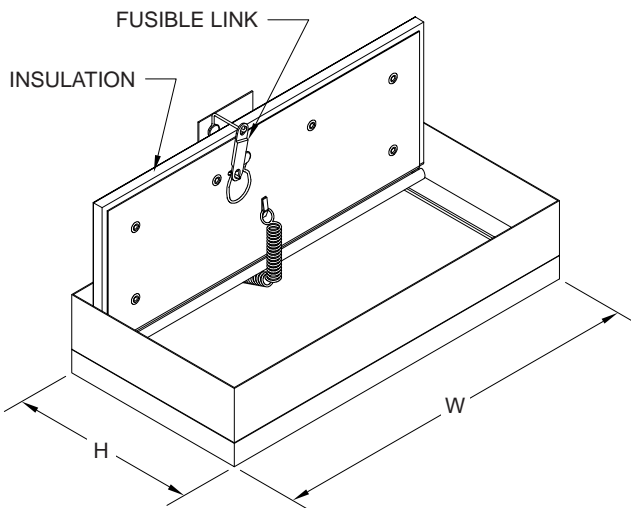
Frame: Roll formed, 22 Ga. galvanized steel.
 Blades: 22 Ga. galvanized steel.
 Insulation: Non-asbestos, ceramic blanket
 Spring: Corrosion resistant steel spring.
 Finish: Mill galvanized

OPTIONS:

Fusible Link: Replaceable 165°F or 212°F

SIZE LIMITATIONS:

Sizes: Minimum: 3.75" W or 3.75" H.
 Minimum Area: 16 sq. inch (nominal).
 Maximum: 16" W x 8"H



MODEL MSCDSBHC

SUGGESTED SPECIFICATION

Assembly specific square and rectangular butterfly type ceiling radiation dampers shall be model MSCDSBHC by Metal-Fab. Ceiling dampers shall bear the Underwriters Laboratories label and be rated for ductless, flexible duct or steel duct installations. Ceiling Radiation Dampers shall be installed in accordance with the manufacturer's instructions. Ceiling damper insulation shall be of the non-asbestos type. Ceiling dampers shall be furnished with fusible link.

Project:

Contractor:

Location:

Address:

Architect:

P.O. Number:

Engineer:

Date: