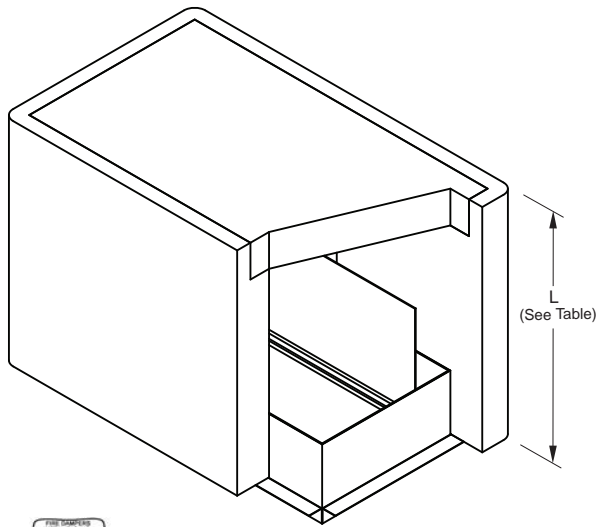
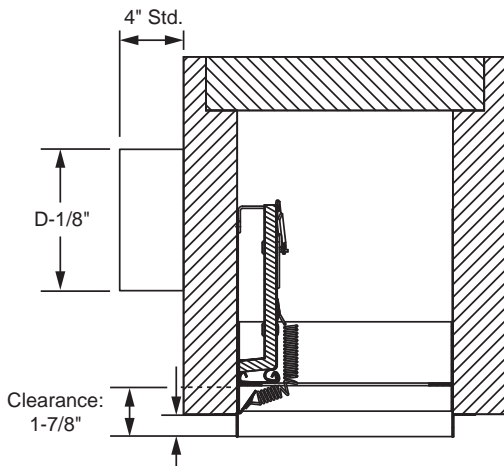
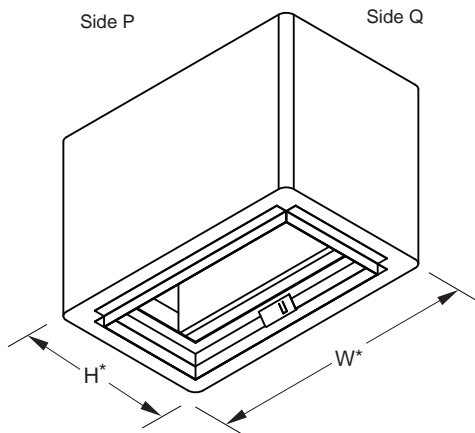




MODEL: MSCDSBHC SINGLE-BLADE CEILING RADIATION DAMPER WITH DUCT BOARD OUTLET BOX



CLASSIFIED
UL
US
UL CLASSIFIED
(SEE COMPLETE
MARKING ON PRODUCT)



The MSCDSBHC ceiling radiation damper employs butterfly-style blades for point-of-origin control of radiant heat in HVAC systems. The MSCDSBHC is installed horizontally in the ceiling membrane of combustible floor-ceiling or roof-ceiling assemblies with fire resistance ratings up to and including 1 hour.

MODEL MSCDSBHC:

UL 555C Fire Resistance Rating: 1 hour for installation in floor designs L501, L502, L503, L506, L507, L508, L512, L513, L514, L515, L516, L517, L519, L522, L523, L533, L537, L545, L581, L583, L528, L558, L562, L563, L574, L585, and in roof/ceiling designs P533, P544, P545, P580

Thermal Resistance: R-6.5 or R-8.7

CSFM listing: 3225-1296:103

Intertek Spec ID#: 23558 L521, L546, P522

Meets NFPA Standards: 90A and 101

Meets Building Code Standards: IBC, NBC, NFPA, SBC, and UBC

STANDARD CONSTRUCTION:

Frame: 22 gauge galvanized steel with integral 1-1/2" thick fiberglass R-6.5 duct board outlet box

Blades: 22 gauge galvanized steel – butterfly. Non-Asbestos, Ceramic Blanket on sizes 100 sq. in. and up

Transition: None (field adaptation required)

Sheet Rock Flange: 5/8" deep x 1" wide Std.

Closure Device: Fusible link

Fire Closure Temperature: 165°F

Minimum Size: 3.75" W or 3.75" H

Minimum Area: 16 sq. in. (nominal)

Maximum Size: Square: 16" x 8"

OPTIONS:

Transition Options: Round, Oval, Square/Rectangular

Side: W, H, P, Q

Alternate R-8.7 duct board outlet box

Alternate Sheet Rock Flange Options:

1-1/4" deep x 1-1/4" wide

1-7/8" deep x 1" wide

4" deep x 1" wide

Alternate 212°F Fusible Link

WHI installation angle set:

2 angles 1" x 1/2" x 28" long x 20 ga.

2 angles 1" x 1/2" x 3" long x 20 ga.

Hanger tab installation

Outlet Box Height Table	
Duct Diameter	Output Box Height 'L'
D ≤ 8"	8" < D ≤ 12"
16"	16"