



# MODEL: MRCDHC BUTTERFLY CEILING RADIATION DAMPER ROUND



UL CLASSIFIED  
(SEE COMPLETE MARKING ON PRODUCT)

**MODEL MRCDHC:** UL 555C Listed (3-hour)  
UL Listed for wood joist and open  
truss ceilings (1-hour)

Round, butterfly type.



CSFM LISTED

**STANDARD CONSTRUCTION:**

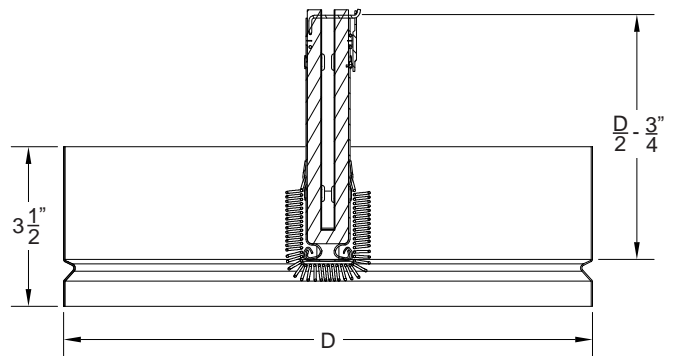
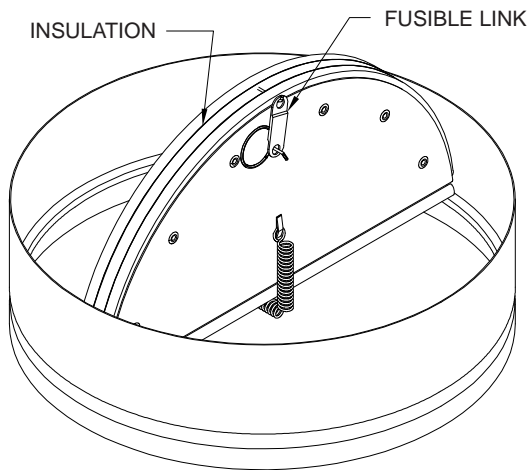
Frame: Roll formed, 22 Ga. galvanized steel.  
Blades: 22 Ga. galvanized steel.  
Insulation: Non-asbestos, ceramic blanket  
Spring: Corrosion resistant steel spring.  
Finish: Mill galvanized

**OPTIONS:**

Fusible Link: Replaceable 165°F or 212°F

**SIZE LIMITATIONS:**

Sizes: Minimum: 3.875" Dia.  
Maximum: 16.00" Dia.



MODEL MRCDHC

**SUGGESTED SPECIFICATION**

Assembly specific round butterfly type ceiling radiation dampers shall be model MRCDHC by Metal-Fab. Ceiling dampers shall bear the Underwriters Laboratories label and be rated for ductless, flexible duct or steel duct installations. Ceiling Radiation Dampers shall be installed in accordance with the manufacturer's instructions. Ceiling damper insulation shall be of the non-asbestos type. Ceiling dampers shall be furnished with fusible link.

Project:	Contractor:
Location:	Address:
Architect:	P.O. Number:
Engineer:	Date: