



MODEL: MCCD 2 CURTAIN CEILING RADIATION DAMPER SQUARE AND RECTANGULAR



UL CLASSIFIED
(SEE COMPLETE
MARKING ON PRODUCT)



MODEL MCCD2: UL 555C Listed for 3-4 hours. (ULC - S112.2)

Square or rectangular damper with quilted ceramic thermal blanket, (non-asbestos).

STANDARD CONSTRUCTION:

Frame: Roll formed, 22 Ga. galvanized steel.
Blades: Roll formed, 24 Ga. galvanized steel.
Thermal Blanket: Non-asbestos, ceramic blanket.
Springs: Stainless steel.
Finish: Mill galvanized.

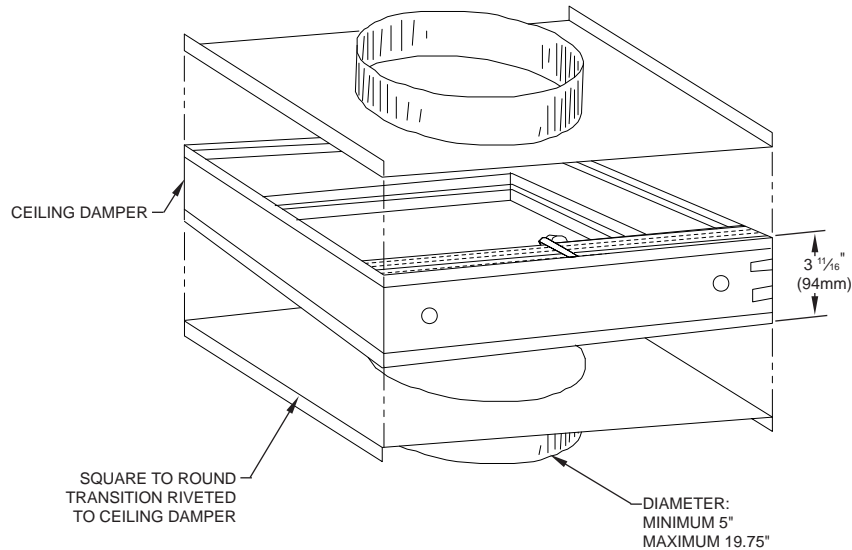
OPTIONS:

Fusible Link: Replaceable 165°F, 212°F.
Transitions: Inlet and Outlet.
Thermal Blanket: TB5000 24" x 24" 1/8", non-asbestos, ceramic blanket.

SIZE LIMITATIONS:

Transitions

Minimum: 5.00" Diameter
Minimum transition plate: 7.00"W x 7.00"H Transition plate
Maximum: 19.75" Diameter



SUGGESTED SPECIFICATION

Square and rectangular curtain ceiling damper with transitions shall be Model MCCD2 by Metal-Fab. Ceiling dampers shall bear the Underwriters' Laboratories label and be rated for ducted (MCCD2) air systems. Ceiling damper blanket shall be of the non-asbestos, curtain type for maximum free area. Ceiling dampers shall be furnished with a fusible link.

Project:	Contractor:
Location:	Address:
Architect:	P.O. Number:
Engineer:	Date: