



MODEL: MCCD 1 CURTAIN CEILING RADIATION DAMPER SQUARE AND RECTANGULAR



UL CLASSIFIED
(SEE COMPLETE
MARKING ON PRODUCT)



MODEL MCCD1: UL 555C Listed for 3-4 hours. (ULC - S112.2)

Square or rectangular damper with quilted ceramic thermal blanket, (non-asbestos).

STANDARD CONSTRUCTION:

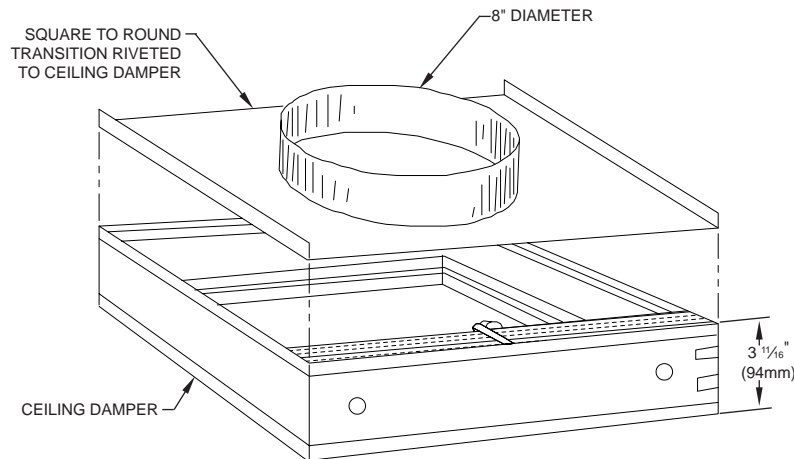
- Frame: Roll formed, 22 Ga. galvanized steel.
- Blades: Roll formed, 24 Ga. galvanized steel.
- Thermal Blanket: Non-asbestos, ceramic blanket.
- Springs: Stainless steel.
- Finish: Mill galvanized.

OPTIONS:

- Fusible Link: Replaceable 165°F, 212°F.
- Transitions: 8" Diameter Transition.

SIZE LIMITATIONS:

Only available in one size: 12.00"W x 12.00"H.



SUGGESTED SPECIFICATION

Square and rectangular curtain ceiling damper with transition shall be Model MCCD1 by Metal-Fab. Ceiling dampers shall bear the Underwriters' Laboratories label and be rated for ducted (MCCD1) air systems. Ceiling damper blanket shall be of the non-asbestos, curtain type for maximum free area. Ceiling damper shall be furnished with a fusible link.

Project:	Contractor:
Location:	Address:
Architect:	P.O. Number:
Engineer:	Date: