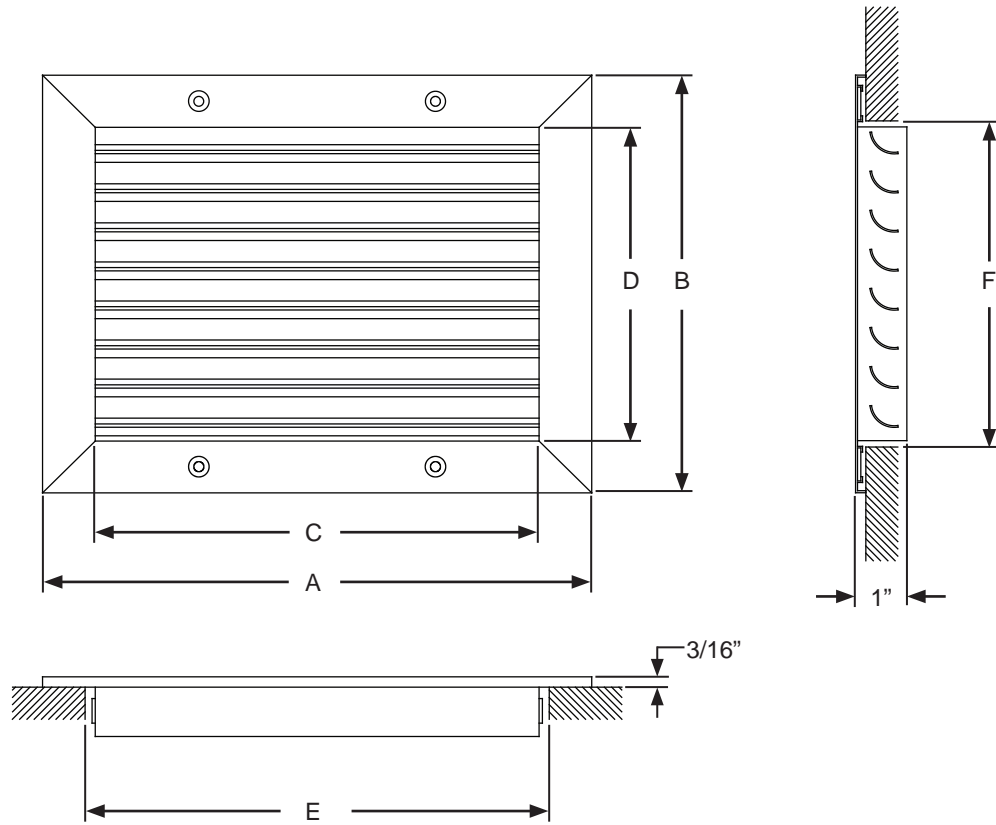




MFERGH SERIES FIXED 45° HORIZONTAL BAR GRILLE SPECIFICATION CHART



- **Extruded Aluminum Construction**
- **Fixed Horizontal Bars at 45 Degrees**
- **Reinforced Mitered Corners**
- **Rigid Bar Face**
- **Finish: White**

Fixed 45 Deg. Horizontal Bar Grille Dimensional Chart									
Size (ExF)	Dimensions (See Detail Sketches)				Size (ExF)	Dimensions (See Detail Sketches)			
	A	B	C	D		A	B	C	D
8x8	9-3/4	9-3/4	7-1/4	7-1/4	14x14	15-3/4	15-3/4	13-1/4	13-1/4
10x10	11-3/4	11-3/4	9-1/4	9-1/4	20x20	21-3/4	21-3/4	19-1/4	19-1/4
12x12	13-3/4	13-3/4	11-1/4	11-1/4	24x24	25-3/4	25-3/4	23-1/4	23-1/4

FIXED 45 DEG. HORIZONTAL BAR GRILLE									
Face Velocity		300	400	500	600	700	800	900	1000
8x8	cfm	85	115	140	170	195	225	255	280
Ak .29	Ps	0.012	0.020	0.028	0.048	0.060	0.076	0.100	0.132
10x10	cfm	140	190	235	280	330	375	425	470
Ak .47	Ps	0.012	0.020	0.032	0.044	0.060	0.072	0.096	0.120
12x12	cfm	200	265	330	400	465	530	600	665
Ak .68	Ps	0.012	0.020	0.032	0.044	0.056	0.072	0.092	0.108
14x14	cfm	270	360	450	540	630	720	810	900
Ak .92	Ps	0.012	0.020	0.032	0.040	0.056	0.076	0.092	0.112
20x20	cfm	570	760	950	1140	1330	1520	1715	1905
Ak 1.92	Ps	0.012	0.020	0.032	0.044	0.060	0.084	0.100	0.120
24x24	cfm	835	1115	1390	1670	1945	2225	2505	2780
Ak 2.80	Ps	0.012	0.020	0.032	0.048	0.060	0.092	0.100	0.124
Ps (In. H2O)									