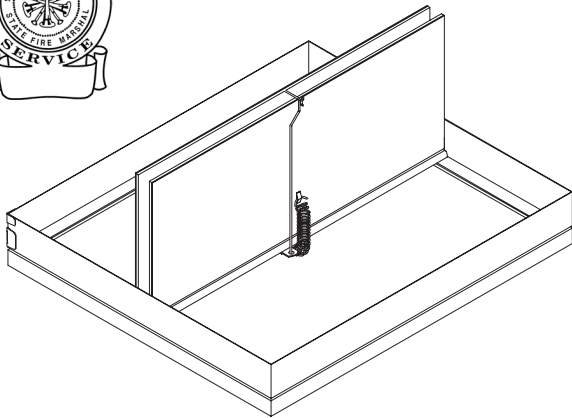




DYNAMIC BUTTERFLY CEILING RADIATION DAMPER WITH BOOT



UL CLASSIFIED
(SEE COMPLETE
MARKING ON PRODUCT)



DAMPER MODEL DGCD:

UL 555C Listed for 1-hour (ULC-S112.2 for static damper only)

UL CEILING DESIGN NO.

M557, P581

OPTIONS:

Throat Depth: 6 in or 8 in

BOOT TYPE - S: 30 Ga. Galvanized Steel Straight Boot

BOOT TYPE - L: 30 Ga. Galvanized Steel 90° Boot

BOOT TYPE - E: 30 Ga. Galvanized Steel End Boot

Adjustable Volume Control

Flanged or Non-Flanged

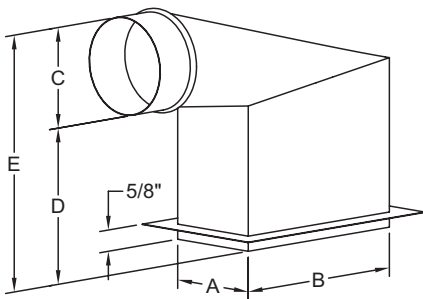
SIZE LIMITATIONS:

Boot Sizes: Minimum: 6"W x 6"H x 4"Ø

Maximum: 14"W x 14"H x 10"Ø

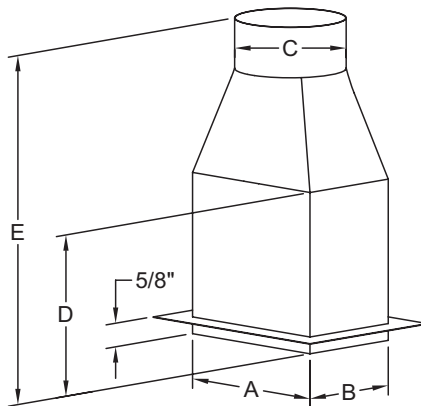
**BOOT TYPE | THROAT DEPTH | DAMPER |
BOOT SIZE | COLLAR DIA.
EX. L6DG060404**

END BOOT

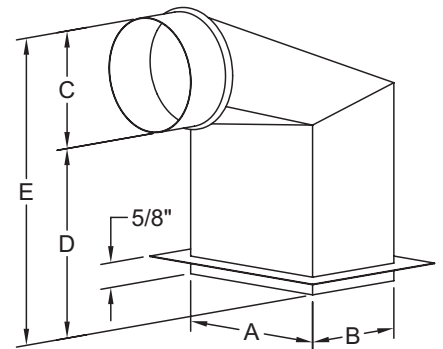


A=Boot Width
B=Boot Height
C=Collar Diameter
D=Throat Depth (6", 8")
E=Overall Height

STRAIGHT BOOT



L BOOT



SUGGESTED SPECIFICATION

Dynamic square and rectangle 'ceiling radiation damper/boot assemblies' shall be made by Metal-Fab. Model DGCD ceiling radiation dampers shall bear the Underwriters Laboratories (UL) label. Ceiling radiation damper shall be furnished with a fusible link and include ceramic fiber, non-asbestos insulation on damper blades.

Project:

Contractor:

Location:

Address:

Architect:

P.O. Number:

Engineer:

Date: