



INSTALLATION AND MAINTENANCE INSTRUCTIONS FOR DOUBLE WALL BLACK PIPE CONNECTOR



Intertek

CERTIFIED
TO UL103

A MAJOR CAUSE OF CHIMNEY CONNECTOR RELATED FIRES IS FAILURE TO MAINTAIN REQUIRED CLEARANCES (AIR SPACES) TO COMBUSTIBLE MATERIALS.

IT IS OF UTMOST IMPORTANCE THAT THIS DOUBLE WALL CHIMNEY CONNECTOR BE INSTALLED ONLY IN ACCORDANCE WITH THESE INSTRUCTIONS.

PLEASE READ ALL INSTRUCTIONS BEFORE BEGINNING YOUR INSTALLATION. FAILURE TO INSTALL THIS SYSTEM IN ACCORDANCE WITH THESE INSTRUCTIONS WILL VOID THE CONDITIONS OF CERTIFICATION AND THE MANUFACTURER'S WARRANTY. KEEP THESE INSTRUCTIONS IN A SAFE PLACE FOR FUTURE USE.

LISTINGS/CLEARANCES:

Double Wall Black Pipe (DWB) has been designed to connect a gas, liquid or solid-fuel fired residential-type appliances and building heating appliance to a factory built listed chimney system, such as a Metal-Fab's Model TG All-Fuel Chimney. The Double Wall Black pipe has been tested by Warnock Hersey to Underwriters Laboratories Standard 103. The maximum temperature must not exceed 1000°F continuous and 1700°F intermittent. The Double Wall Black Pipe is listed for six (6) inches clearance to combustible material. **NEVER** enclose this connector pipe or use it as a chimney to install through ceilings, walls or inaccessible areas.

INSTALLATION GUIDELINES:

The chimney must be sized in accordance with the appliance manufacturer's instructions. Ensure that the necessary building permits are obtained and that the installation will conform to all federal and municipal building code requirements. Contact local building or fire officials about restrictions and installation inspection in your area.

PARTS LIST:

Components available in 6" diameter or 8" diameter. * denotes diameter.

- | | |
|----------------------|---------------------|
| • 12" Pipe Length | *DWB12 |
| • 24" Pipe Length | *DWB24 |
| • 48" Pipe Length | *DWB48 |
| • Adjustable Lengths | *DWB8A & *DWB18A |
| • Telescopic Lengths | *DWBTL48 & *DWBTL66 |
| • Tee Section | *DWBT |
| • 45° Elbow | *DWB45 |
| • 90° Elbow | *DWB90 |
| • Stove Adapter | *DWBA |
| • Increaser | *DWBI-8 |

INSTALLATION:

NOTE: All joints are a male to female slip joint secured with three (3) sheet metal screws supplied with each component. Direction of component orientation is specified by the "UP" arrow label attached to each component.

- Determine the stove outlet location relative to Chimney System Ceiling Support. Best results are obtained with a straight-up connector path.
- If your installation is straight up and the telescoping lengths (DWBTL) can be used, insert the telescoping flue within the stove collar and the outer casing over the stove collar. Secure all joints with sheet metal screws.
- Extend the upper portion of the DWBTL to engage the crimped portion of the chimney ceiling support. Secure with sheet metal screws (See **FIG. 1**).

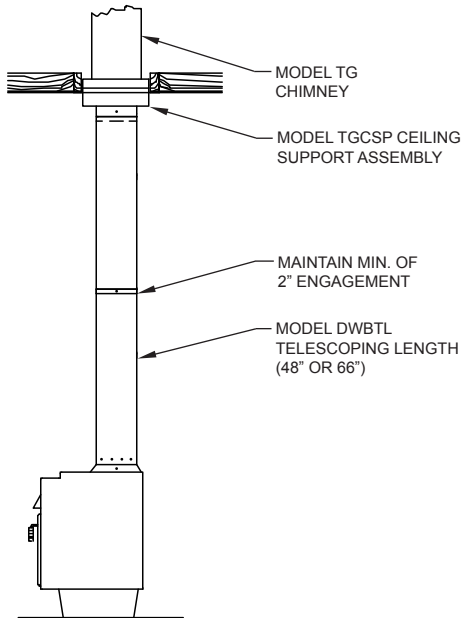


FIG. 1

- If Double Wall Black pipe sections (DWB) are to be used, the Double Wall Black Adapter (DWBA) is required to be attached at the stove collar. It may be necessary to attach the adjustable length (DWB18A) section to the chimney ceiling support prior to installing the sections. Secure the DWB18A to the ceiling support with sheet metal screws. Slide one section of DWB into the DWB18A to allow the second section of DWB to be positioned over the DWBA. The first section can then be slid down to engage the second section. Secure all joints with sheet metal screws (See **FIG. 2**).

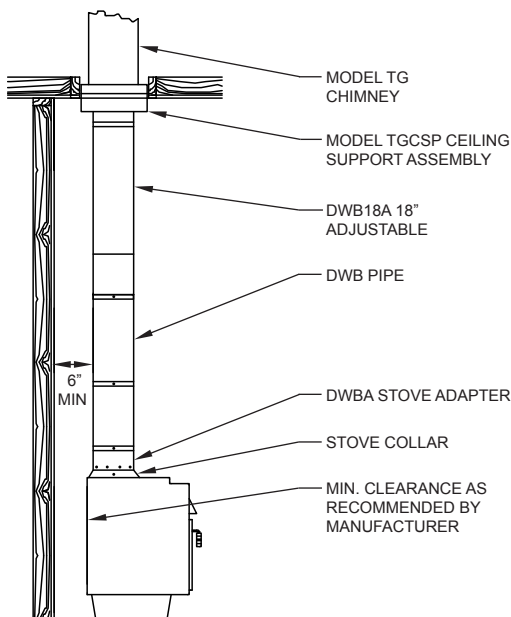


FIG. 2

- If your installation does not allow for straight up pipe sections, it may be necessary to use elbows (DWB45). The DWB45 is secured to the vertical section with sheet metal screws. The DWB section can now be installed between elbows. The second DWB45 can be attached to a vertical section that extends to the ceiling support and to the DWB section between elbows (See **FIG. 3**). It is recommended that only one DWB section, and if necessary one adjustable (DWB18A), be installed between elbows. The DWB45 can also be installed back to back.

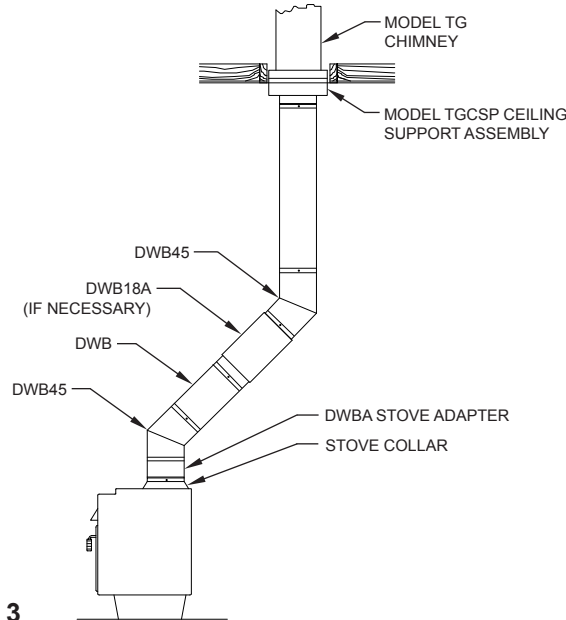


FIG. 3

- If your stove has a rear outlet and you need to go upward, the Double Wall Black Tee (DWBT) can be used. A DWBA must be installed at the stove collar before attaching the DWBT. The DWBT then is installed onto the DWBA. If the listed chimney system is in a chase, and the DWB connector pipe must go horizontally, a Double Wall Black 90 degree elbow (DWB90) can be used. (See **FIG. 4**). Secure all joints with sheet metal screws.

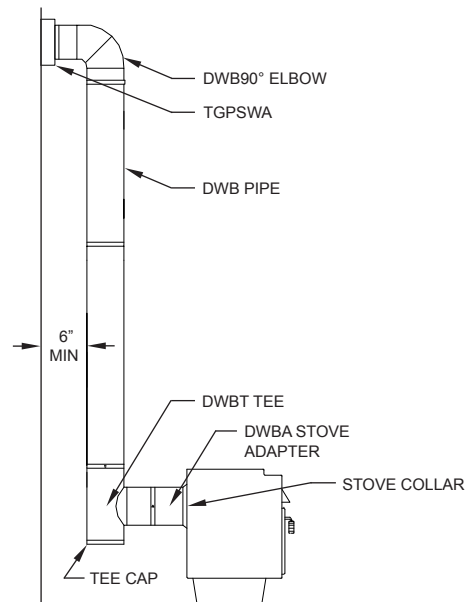


FIG. 4

MAINTENANCE:

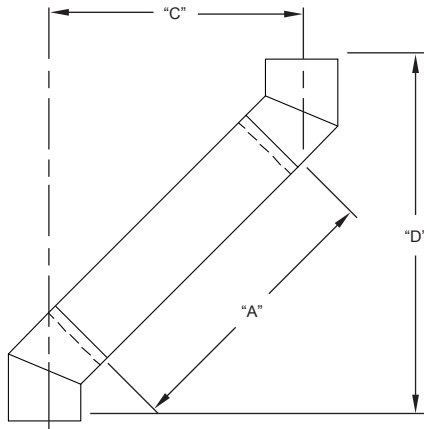
Upon installation of the DWB stove pipe, scratches can result that will require touch up. It is recommended to use Stove Bright #1990 satin black paint.

When wood is burned slowly, it produces tar and other organic vapors, which combine with moisture to form creosote. The creosote vapors condense in the relatively cool chimney flue of a slow burning fire. As a result, creosote residue accumulates on the flue lining. When ignited this creosote makes an extremely hot fire. The chimney should be inspected at least once every two (2) months during the heating season to determine if a creosote or soot buildup has occurred. If creosote or soot has accumulated, it should be removed to reduce the risk of chimney fire.

Some chemical chimney cleaners can be harmful to the chimney. These cause accelerated oxidation or corrosion. If chemical cleaners are used, they must be non-corrosive in nature. If brush is used, it must be of proper size with plastic bristles.

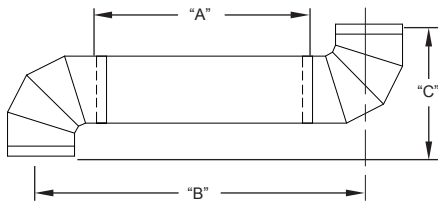
OFFSET CHARTS:

45° ELBOW VERTICAL TO HORIZONTAL TO VERTICAL



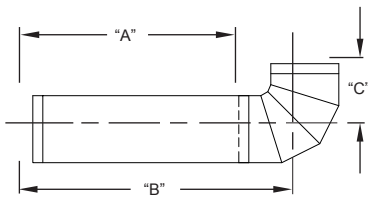
"A"	ASSEMBLED PIPE LENGTHS	PIPE DIA.			
		6" DIA.		8" DIA.	
		"C"	"D"	"C"	"D"
0	NO PIPE	5 3/4	15 3/8	5 3/4	14 1/2
12	12"	14 1/4	23 7/8	14 1/8	23
24	24"	22 3/4	32 3/8	22 5/8	31 1/2
36	12" & 24"	31 1/4	40 7/8	31 1/8	40
48	(2) 24"	39 3/4	49 3/8	39 5/8	48 1/2
60	48" & 12"	48 1/4	57 7/8	48 1/8	57
72	48" & 24"	56 3/4	66 3/8	56 5/8	65 3/8
84	48", 24" & 12"	65 1/8	74 3/4	65	73 7/8
96	(2) 48"	73 1/4	83 1/4	73 5/8	82 3/8
108	(2) 48" & 12"	82 1/8	91 3/4	82	90 7/8
120	(2) 48" & 24"	90 5/8	100 1/4	90 1/2	99 3/8

90° ELBOW VERTICAL TO HORIZONTAL TO VERTICAL



"A"	ASSEMBLED PIPE LENGTHS	PIPE DIA.			
		6" DIA.		8" DIA.	
		"B"	"C"	"B"	"C"
0	NO PIPE	17 3/4	18 1/2	16 3/8	17 1/2
12	12"	29 3/4	18 1/2	28 3/8	17 1/2
24	24"	41 3/4	18 1/2	40 3/8	17 1/2
36	12" & 24"	53 3/4	18 1/2	52 3/8	17 1/2
48	(2) 24"	65 3/4	18 1/2	64 3/8	17 1/2
60	48" & 12"	77 3/4	18 1/2	76 3/8	17 1/2
72	48" & 24"	89 3/4	18 1/2	88 3/8	17 1/2
84	48", 24" & 12"	101 3/4	18 1/2	100 3/8	17 1/2
96	(2) 48"	113 3/4	18 1/2	112 3/8	17 1/2
108	(2) 48" & 12"	125 3/4	18 1/2	124 3/8	17 1/2
120	(2) 48" & 24"	137 3/4	18 1/2	136 3/8	17 1/2

90° ELBOW TO HORIZONTAL TO VERTICAL



"A"	ASSEMBLED PIPE LENGTHS	PIPE DIA.	
		6"- 8" DIA.	
		"B"	"C"
0	NO PIPE	9 1/2	9
12	12"	21 1/2	9
24	24"	33 1/2	9
36	12" & 24"	45 1/2	9
48	(2) 24"	57 1/2	9
60	48" & 12"	69 1/2	9
72	48" & 24"	81 1/2	9
84	48", 24" & 12"	93 1/2	9
96	(2) 48"	105 1/2	9
108	(2) 48" & 12"	117 1/2	9
120	(2) 48" & 24"	129 1/2	9



P.O. Box 1138 • WICHITA, KANSAS 67201
 (316) 943-2351 • FAX (316) 943-2717
 info@metalfab-inc.com • www.metalfab-inc.com