



MODEL: DGCDSB SINGLE BLADE DYNAMIC CEILING RADIATION DAMPER SQUARE/RECTANGULAR



UL CLASSIFIED
(SEE COMPLETE
MARKING ON PRODUCT)

MODEL DGCDSB: UL 555C Listed for 1-hour (Ceiling Design M557)
(ULC-S112.2 for static damper only)

Square or rectangular single blade-type.

STANDARD CONSTRUCTION:

Frame: Roll formed, 22 Ga. galvanized steel.
Blades: 22 Ga. galvanized steel.
Thermal Blanket: Non-asbestos, ceramic blanket
on sizes 80 sq. inches and up.
Spring: Corrosion resistant steel spring.
Finish: Mill galvanized.

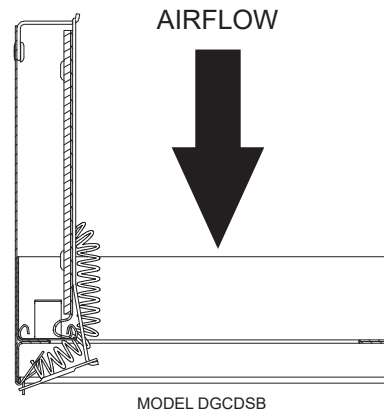
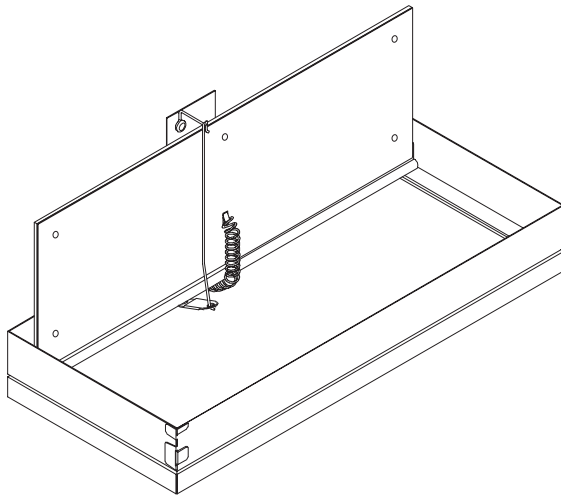
OPTIONS:

Fusible Link: Replaceable 165°F

SIZE LIMITATIONS:

Sizes: Minimum: 3.75" W or 3.75" H.
Minimum area: 24 sq. inch (nominal).
Maximum: 16" W x 7" H

VELOCITY RATING: 2,000 FPM @1" w.c.



SUGGESTED SPECIFICATION

Square and rectangular butterfly type ceiling radiation dampers shall be model DGCDSB by Metal-Fab. Ceiling dampers shall bear the Underwriters' Laboratories label and be rated for ductless, flexible duct or steel duct air systems. Ceiling radiation dampers shall be installed in an insulated metal boot/plenum (min. 28 gauge). Ceiling damper insulation shall be of the non-asbestos type. Ceiling dampers shall be furnished with a fusible link.

Project:
Location:
Architect:
Engineer:

Contractor:
Address:
P.O. Number:
Date: