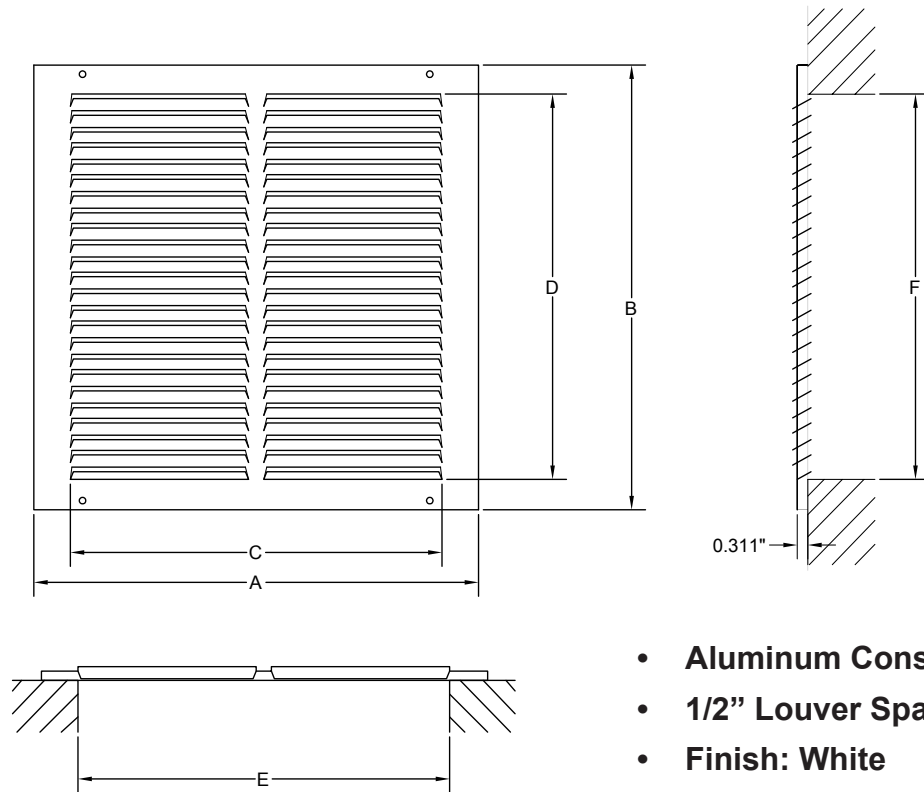




ALUMINUM RETURN AIR GRILLE SPECIFICATION CHART



- Aluminum Construction
- 1/2" Louver Spacing
- Finish: White

Aluminum Return Air Grille Dimensional Chart

| Size (ExF) | Dimensions (See Detail Sketches) | | | | Size (ExF) | Dimensions (See Detail Sketches) | | | |
|------------|----------------------------------|-------|-------|-------|------------|----------------------------------|-------|-------|------|
| | A | B | C | D | | A | B | C | D |
| 8x8 | 9.75 | 9.75 | 7.50 | 7.91 | 14x8 | 15.75 | 9.75 | 13.50 | 7.91 |
| 10x10 | 11.75 | 11.75 | 9.50 | 9.91 | 14x10 | 15.75 | 11.75 | 13.50 | 9.91 |
| 12x12 | 13.75 | 13.75 | 11.50 | 11.91 | 16x8 | 17.75 | 9.75 | 15.50 | 7.91 |
| 14x6 | 15.75 | 7.75 | 13.50 | 5.91 | | | | | |

Aluminum Return Air Grille

| Face Velocity | | 300 | 400 | 500 | 600 | 700 |
|-------------------------|-----|-------|-------|-------|-------|-------|
| 8x8 Ak=0.34 | cfm | 90 | 120 | 150 | 180 | 210 |
| | Ps | 0.020 | 0.032 | 0.052 | 0.072 | 0.108 |
| 10x10 Ak=0.51 | cfm | 144 | 192 | 240 | 288 | 336 |
| | Ps | 0.020 | 0.032 | 0.052 | 0.072 | 0.104 |
| 12x12 Ak=0.69 | cfm | 201 | 268 | 335 | 402 | 469 |
| | Ps | 0.020 | 0.032 | 0.052 | 0.072 | 0.100 |
| 14x6 Ak=0.42 | cfm | 117 | 156 | 195 | 234 | 273 |
| | Ps | 0.020 | 0.032 | 0.052 | 0.072 | 0.104 |
| 14x8 Ak=0.54 | cfm | 153 | 204 | 255 | 306 | 357 |
| | Ps | 0.020 | 0.032 | 0.052 | 0.072 | 0.100 |
| 14x10 Ak=0.67 | cfm | 198 | 264 | 330 | 396 | 462 |
| | Ps | 0.020 | 0.032 | 0.052 | 0.072 | 0.100 |
| 16x8 Ak=0.62 | cfm | 186 | 248 | 310 | 372 | 434 |
| | Ps | 0.020 | 0.032 | 0.052 | 0.076 | 0.104 |

Ps (in. H₂O)