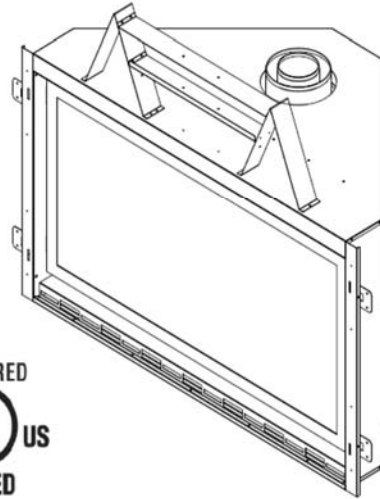




**VP-36T Traditional Log Set
Viewpoint Series
Direct Vent Gas Fireplace
Installation and Operating Manual**



12 - VENTING

	IMPORTANT NOTE
Consult the local and national installation codes to assure adequate combustion and ventilation air is available.	
	IMPORTANT NOTE
Flame height and appearance will vary depending upon venting configuration and type of fuel used. Venting requirements apply to both Natural and LP gas.	
	IMPORTANT WARNING
MAINTAIN ALL CLEARANCES AS STATED IN THIS INSTALLATION MANUAL.	

A. APPROVED VENTING

Refer to the vent systems manufacturer's installation manual for complete installation instructions.
Installation must conform with the venting requirements and restrictions as outlined in this manual.
M&G Dura-Vent DVA, Metal-Fab and BDM Pro-Form, 5" x 8" direct vent systems (horizontal and vertical terminations).

B. HORIZONTAL VENT SYSTEM CLEARANCES

ALL APPROVED VENTING	TOP	BOTTOM	SIDES
HORIZONTAL	3 inch (76mm)	1 inch (25mm)	1 inch (25mm)