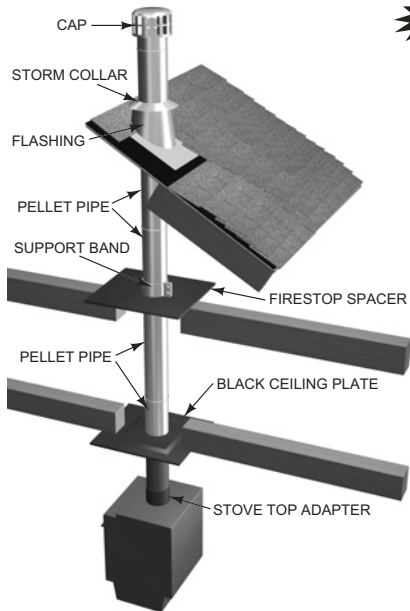


Type L Pellet Chimney

- Tested and UL 641 Listed.
- Pipe and fittings in 3" and 4" diameters.
- Factory-built double wall construction, using stainless steel flue and galvanized steel outer casing.
- Positive twist lock for easy assembly and disassembly without tools and without damage.
- Rope gaskets at each joint to prevent fly ash leakage.

PELLET CHIMNEY INTERIOR - NO OFFSET



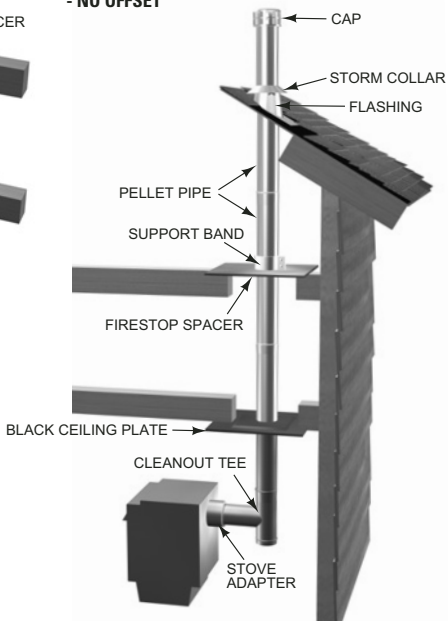
All Pellet Chimney components are available in matte black.

Just add "B" to the end of the part numbers you are ordering.

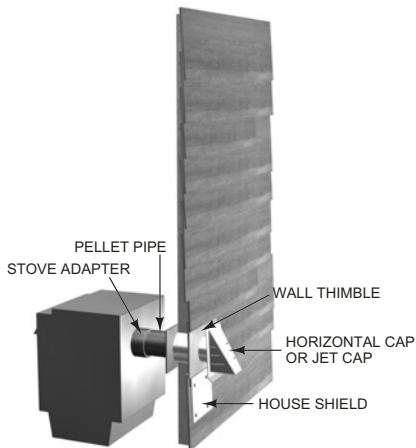
B

B Indicates available in black.

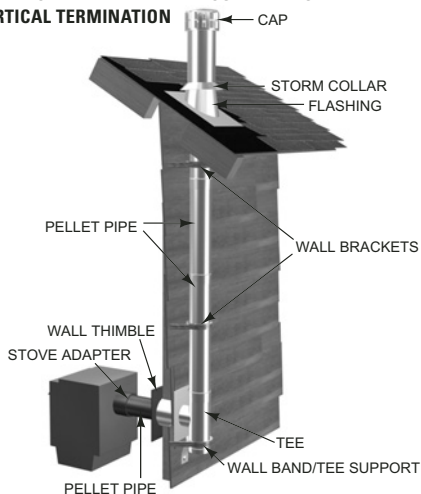
PELLET CHIMNEY REAR EXHAUST INTERIOR - NO OFFSET



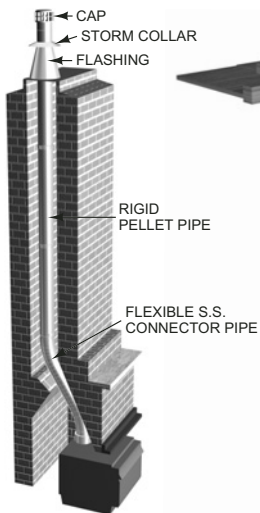
PELLET CHIMNEY REAR EXHAUST EXTERIOR



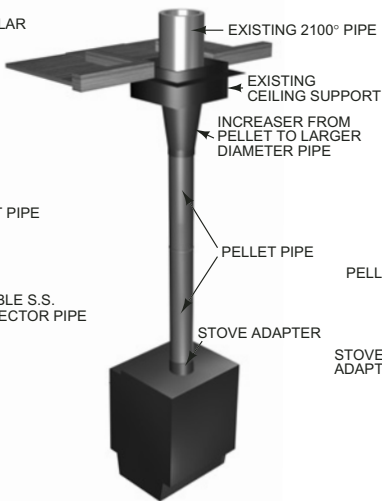
PELLET CHIMNEY REAR EXHAUST EXTERIOR - VERTICAL TERMINATION



PELLET CHIMNEY APPLIANCE INSERT



PELLET CHIMNEY TOP EXHAUST INTO EXISTING 2100° CHIMNEY



PELLET CHIMNEY TOP EXHAUST - EXTERIOR

