



MODEL: MSCDSB SINGLE BLADE CEILING RADIATION DAMPER SQUARE/RECTANGULAR



UL CLASSIFIED
(SEE COMPLETE
MARKING ON PRODUCT)



MODEL MSCD: UL 555C Listed for 3-4 hours

Square or rectangular single blade type.

STANDARD CONSTRUCTION:

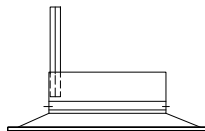
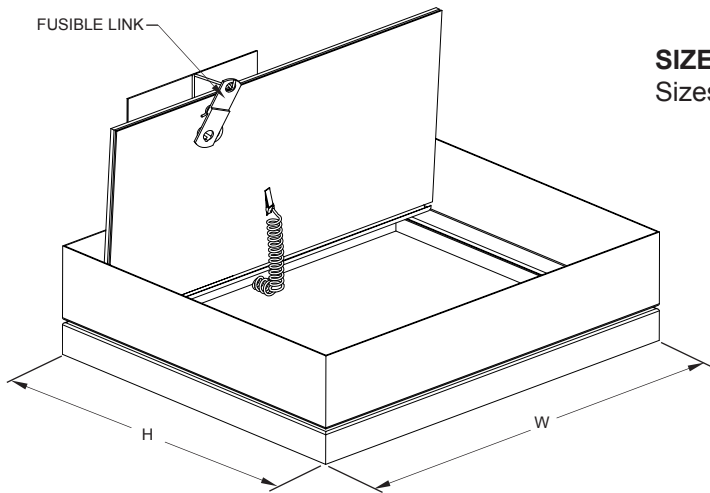
Frame: Roll formed, 22 Ga. galvanized steel.
Blades: 22 Ga. galvanized steel.
Thermal Blanket: Non-asbestos, ceramic blanket on sizes 80 sq. inches and up.
Spring: Corrosion resistant steel spring.
Finish: Mill galvanized.

OPTIONS:

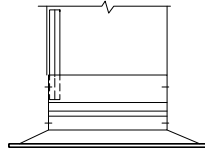
Fusible Link: Replaceable 165°F or 212°F.
Thermal Blanket: TB5000, 24" x 24" x 1/8" non-asbestos, ceramic blanket.

SIZE LIMITATIONS:

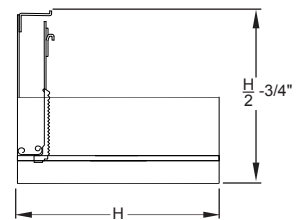
Sizes: Minimum: 3.75" W or 3.75" H.
Minimum area: 16 sq. inch (nominal).
Maximum 22" W x 6" H



FOR INSTALLATION DIRECTLY
OVER DIFFUSER NECK ORDER
"ACTUAL SIZE" DAMPER.



FOR INSTALLATION INSIDE
DUCT, OR DIFFUSER NECK
CHECK BOX ON ORDER FORM
(I.E. SUBTRACT 1/4" FROM THE
ACTUAL SIZE DAMPER.)



MODEL MSCDSB

SUGGESTED SPECIFICATION

Square and rectangular butterfly type ceiling radiation dampers shall be by Metal-Fab. Ceiling dampers shall bear the Underwriters' Laboratories label and be rated for ductless, flexible duct or steel duct air systems. Ceiling radiation dampers installed directly over ceiling diffuser necks shall require no external damper supports. Ceiling damper insulation shall be of the non-asbestos type. Ceiling dampers shall be furnished with a fusible link.

Project:

Contractor:

Location:

Address:

Architect:

P.O. Number:

Engineer:

Date: