



METAL-FAB INC.



An OLYMPIC STEEL Company

FOR USE WITH BIOMASS FUEL-FIRED APPLIANCES.

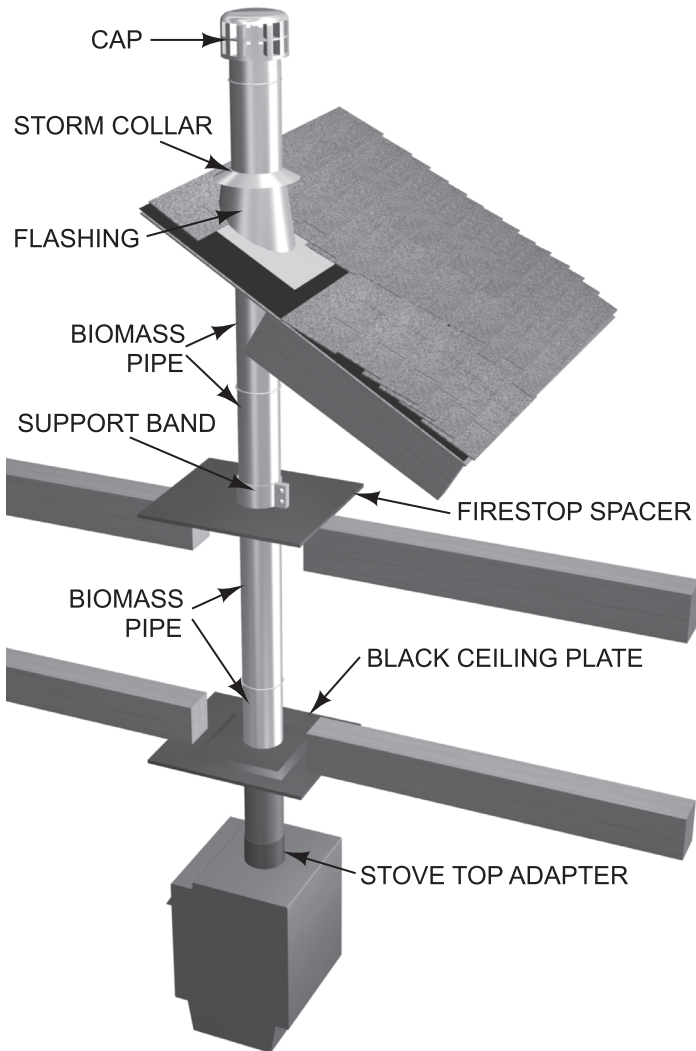
BIOMASS PRODUCTS
BIOMASS CHIMNEY

Type L Biomass Chimney

For use with biomass fuels such as pellet, corn, wheat or other grassy and woody plants as specified by appliance manufacturers.

- Tested and Listed to UL 641.
- Pipe and fittings in 3" and 4" diameters.
- Factory-built double wall construction, using 430 stainless steel flue and galvanized steel outer casing.
- Positive twist lock for easy assembly and disassembly without tools and without damage.
- Rope gaskets at each joint to prevent fly ash leakage.

BIOMASS CHIMNEY INTERIOR - NO OFFSET

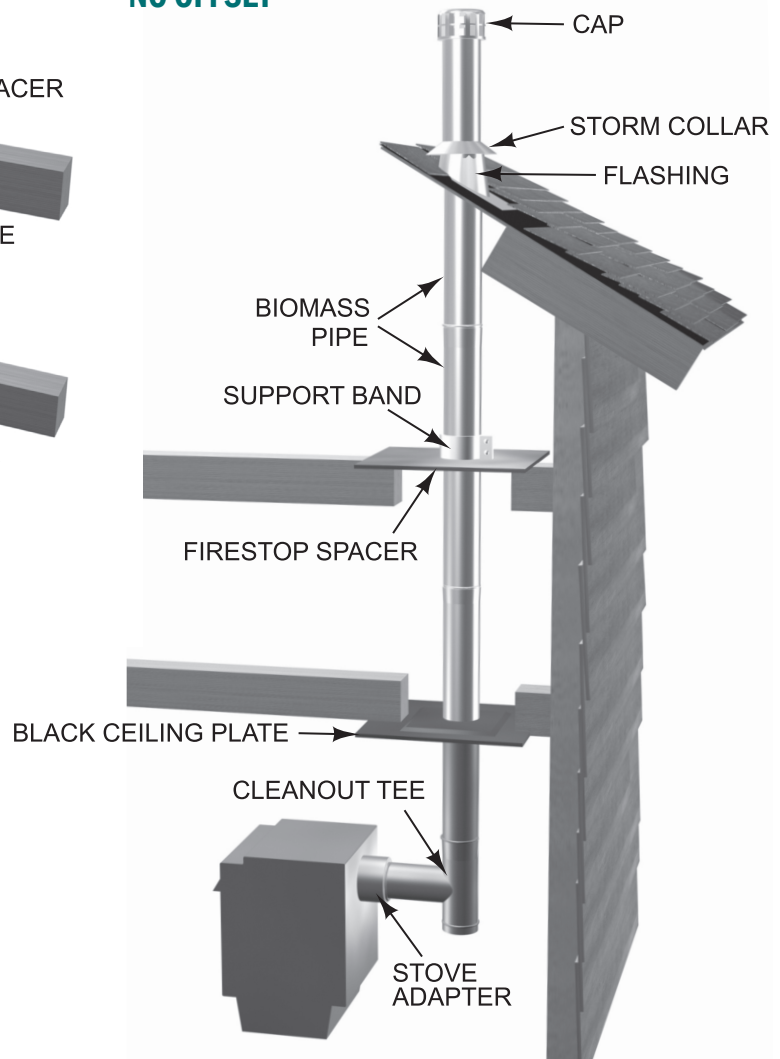


All Biomass Chimney components are available in matte black.

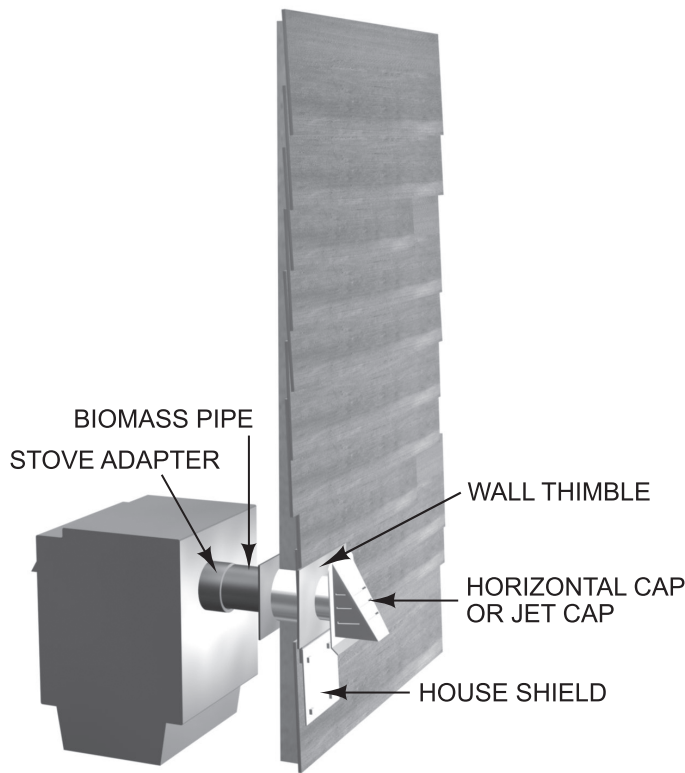
Just add "B" to the end of the part numbers you are ordering.

B Indicates available in black.

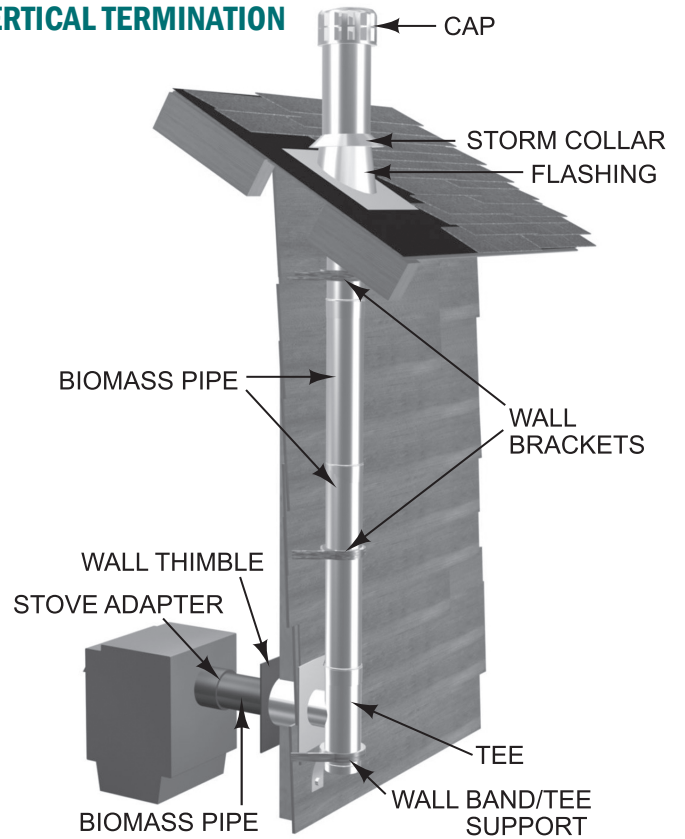
BIOMASS CHIMNEY REAR EXHAUST INTERIOR - NO OFFSET



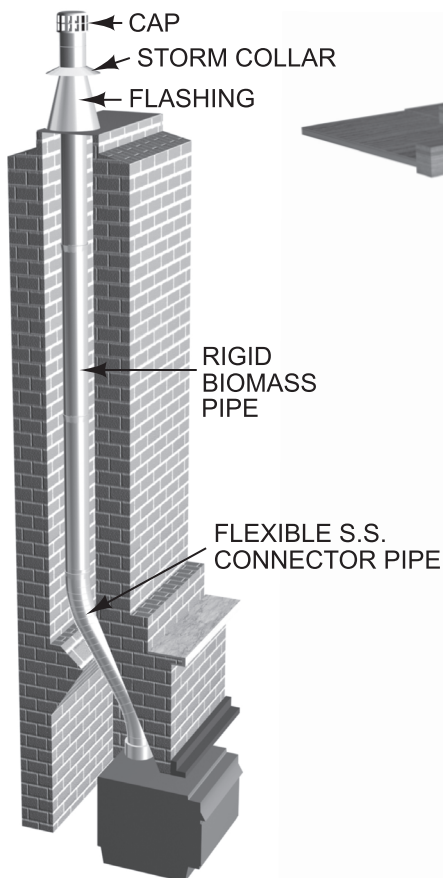
BIOMASS CHIMNEY REAR EXHAUST EXTERIOR



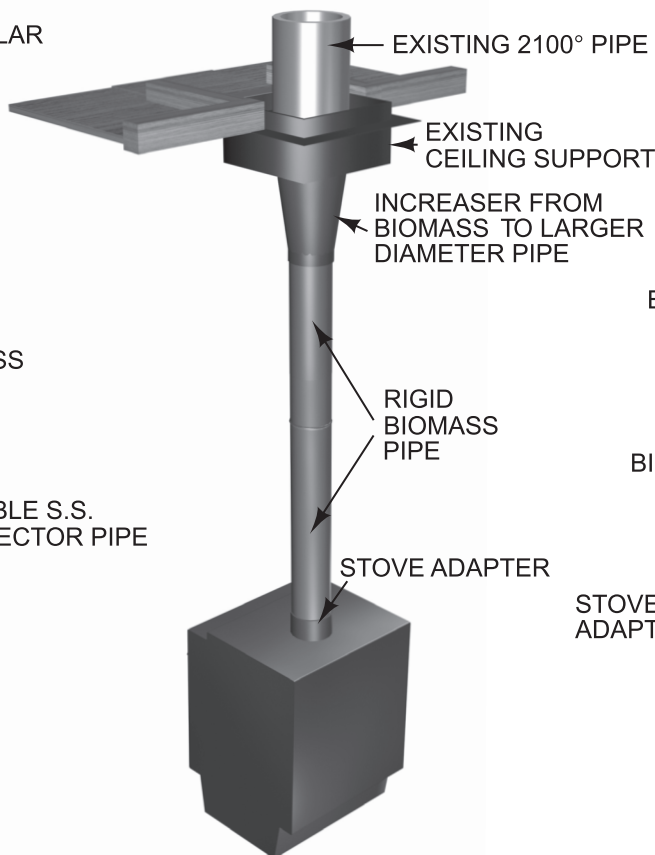
BIOMASS CHIMNEY REAR EXHAUST EXTERIOR - VERTICAL TERMINATION



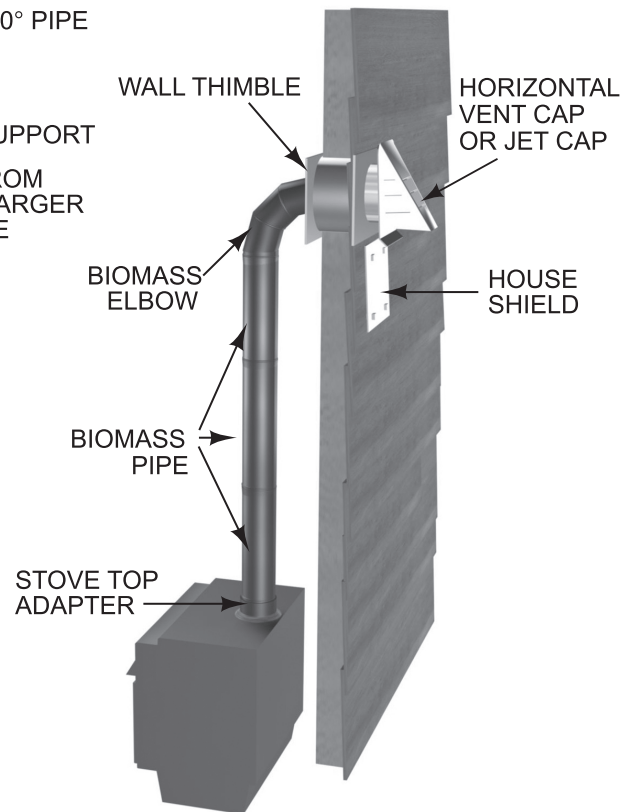
BIOMASS CHIMNEY APPLIANCE INSERT



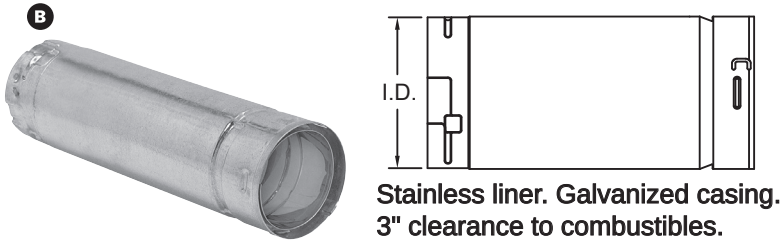
BIOMASS CHIMNEY TOP EXHAUST INTO EXISTING 2100° F CHIMNEY



BIOMASS CHIMNEY TOP EXHAUST - EXTERIOR

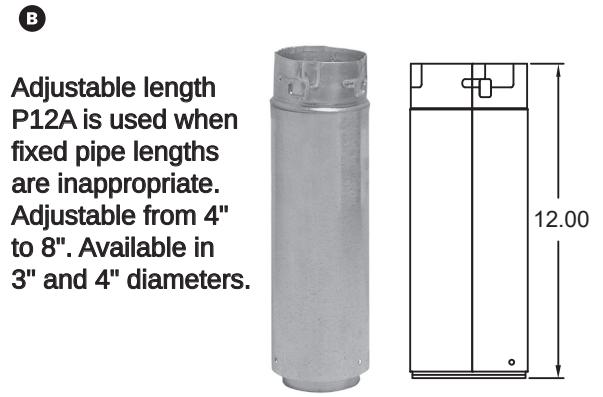


RIGID PIPE LENGTHS - P48, P36, P24, P12, P6



SIZE	I.D.	6"	12"	24"	36"	48"
3"	3.00"	X	X	X	X	X
4"	4.00"	X	X	X	X	X

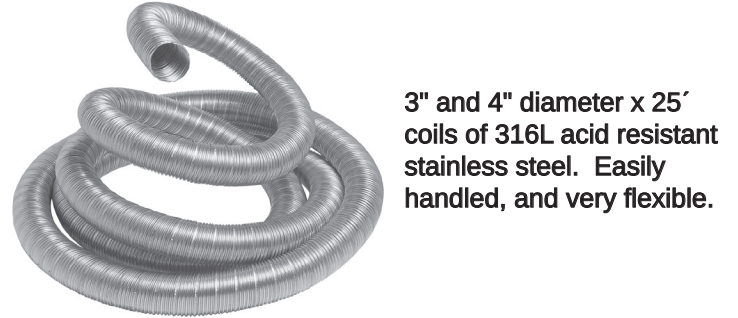
ADJUSTABLE LENGTH PIPE - P12A



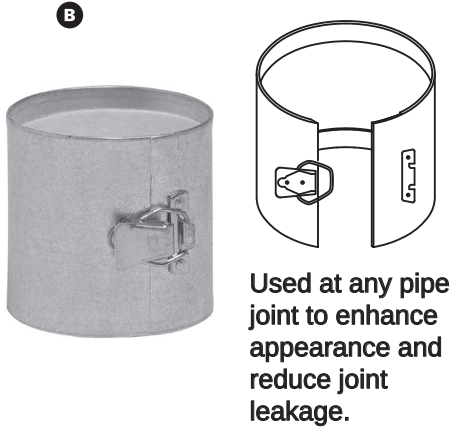
S.S FLEXIBLE CONNECTOR - PFXC



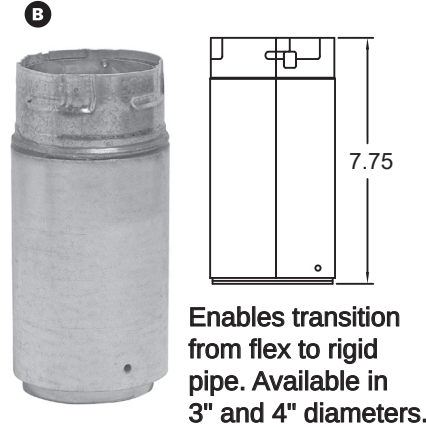
25' S.S FLEX COIL - SLX



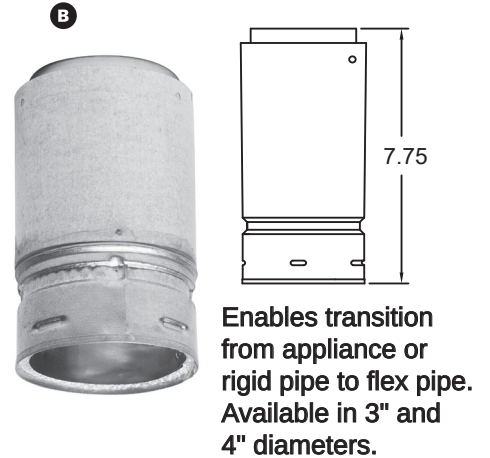
TRIM SLEEVE - PTS



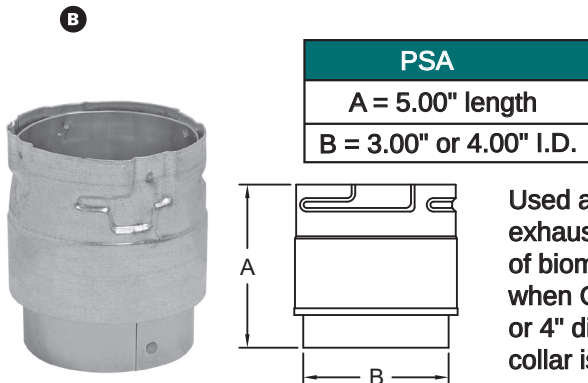
MALE FLEX ADAPTER - P4A



FEMALE FLEX ADAPTER - P4FA

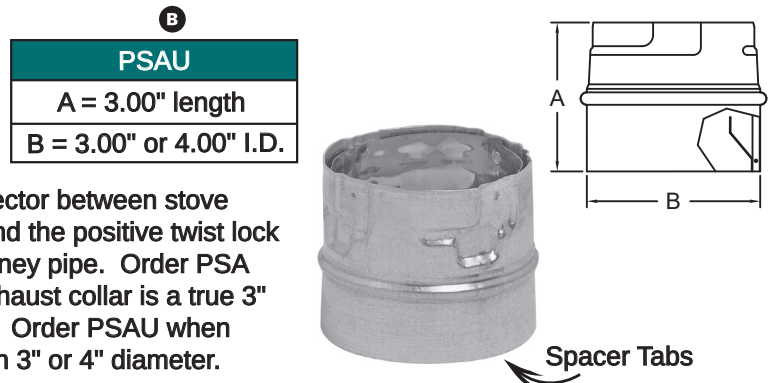


STANDARD STOVE ADAPTER - PSA



Used as a connector between stove exhaust collar and the positive twist lock of biomass chimney pipe. Order PSA when O.D. of exhaust collar is a true 3" or 4" dimension. Order PSAU when collar is less than 3" or 4" diameter.

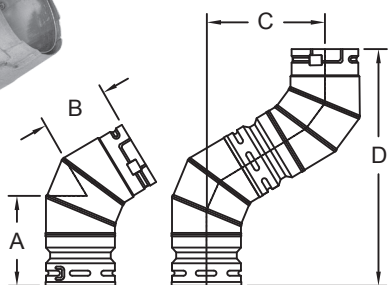
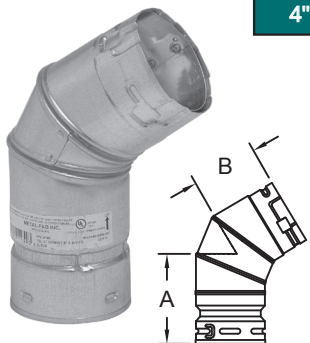
UNIVERSAL STOVE ADAPTER - PSAU



45° ELBOW - P45

B

SIZE	A	B	C	D
3"	4.40"	3.40"	5.57"	14.94"
4"	4.50"	3.80"	5.75"	15.37"

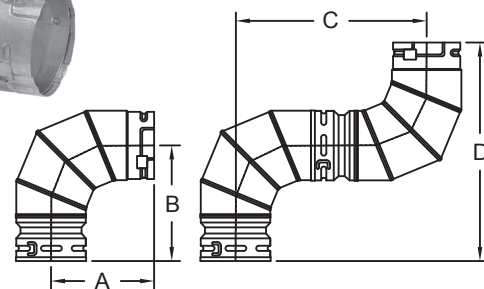
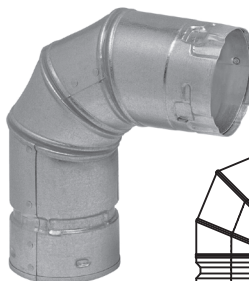


Used to obtain lateral movement around obstructions or to angle the biomasschimney towards the wall thimble. Elbows are factory sealed and are non-adjustable.

90° ELBOW - P90

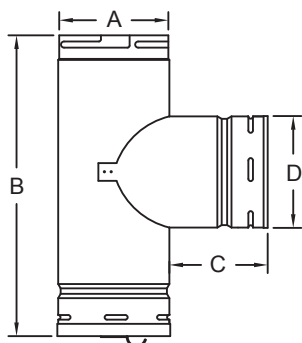
B

SIZE	A	B	C	D
3"	5.50"	5.75"	11.75"	13.25"
4"	6.40"	6.50"	12.13"	13.63"



STANDARD TEE W/PULL-OFF CAP - PT

B

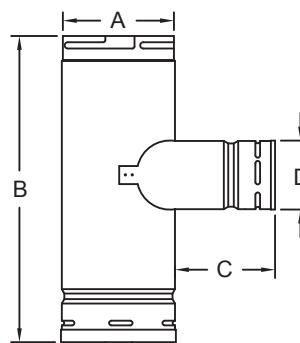
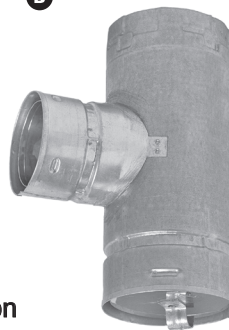


SIZE	A	B	C	D
3" x 3"	3.50"	9.13"	3.00"	3.50"
4" x 4"	4.50"	10.13"	3.00"	4.50"

Used tee to transition from horizontal to vertical inside or to an exterior chimney that is mounted to a tee support.

REDUCED TAP TEE W/PULL-OFF CAP - 4PT3

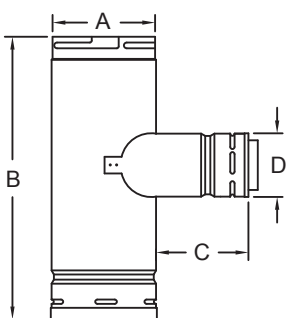
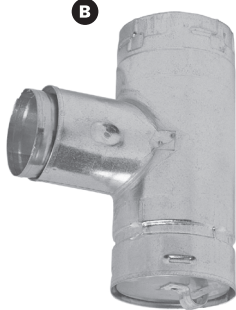
B



SIZE	A	B	C	D
4" x 3"	4.50"	10.13"	3.00"	3.50"

REDUCED TAP TEE W/ADAPTER - 4PT3A

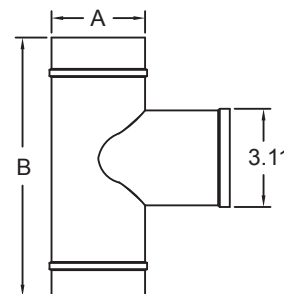
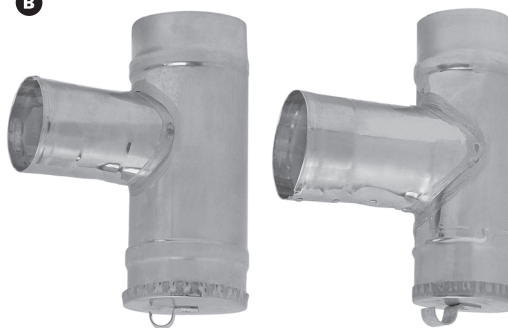
B



SIZE	A	B	C	D
4" x 3"	4.50"	10.13"	3.00"	3.50"

FLEX TEE - 3PFLXT AND 4PFLXT3

B

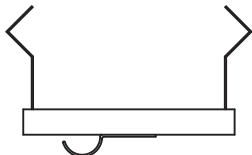
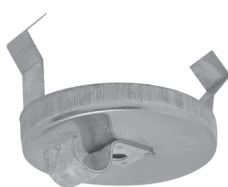


Connects appliance to stainless steel pellet flex pipe.

SIZE	A	B
3"	3.11"	8.75"
4"	4.11"	9.75"

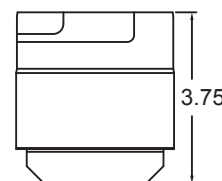
STANDARD TEE CAP - PTC

B



TWIST-OFF TEE CAP - PCTC

B

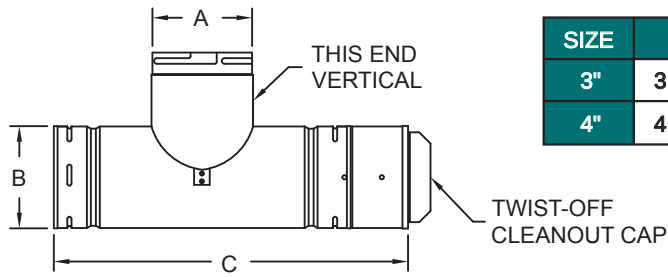


This part number applies when tee cap is sold separately.

Note: Pipe overlaps 1½" when joined together. Assembled length is 1½" less than listed length.

HORIZONTAL CLEANOUT TEE W/TWIST-OFF TEE CAP - PCT

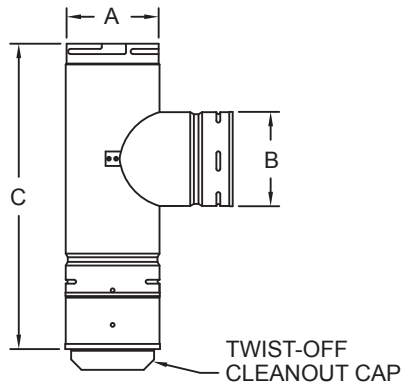
B



SIZE	A	B	C
3"	3.50"	3.50"	11.00"
4"	4.50"	4.50"	14.12"

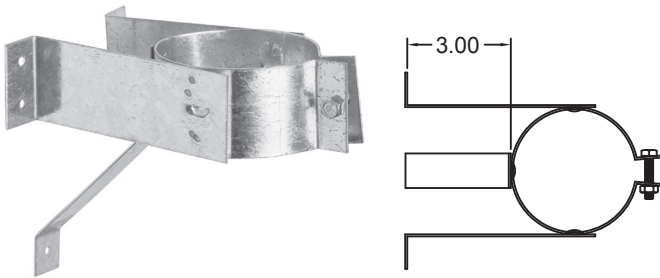
VERTICAL CLEANOUT TEE W/TWIST-OFF TEE CAP - PVCT

B



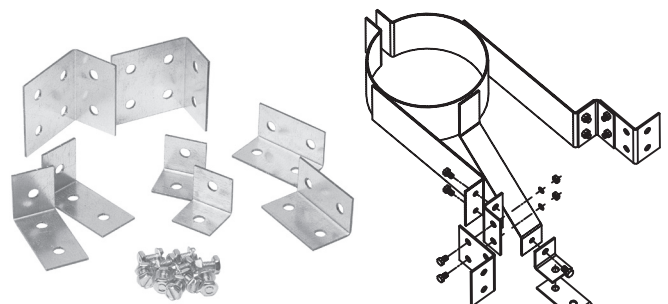
SIZE	A	B	C
3"	3.50"	3.50"	11.00"
4"	4.50"	4.50"	14.12"

COMBINATION WALL BAND/TEE SUPPORT - PWBS



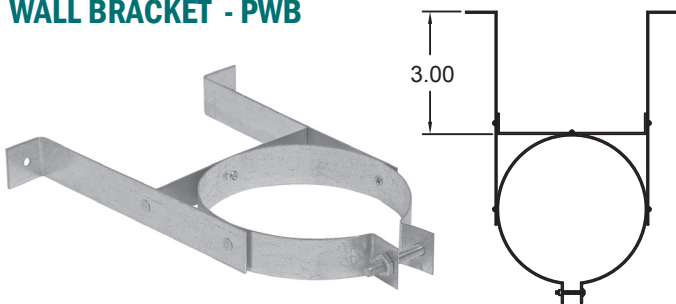
Provides exterior, vertical/lateral support for chimney. Maximum height of chimney which can be supported is 30 feet.

SUPPORT ADJUSTMENT KIT - PWAS



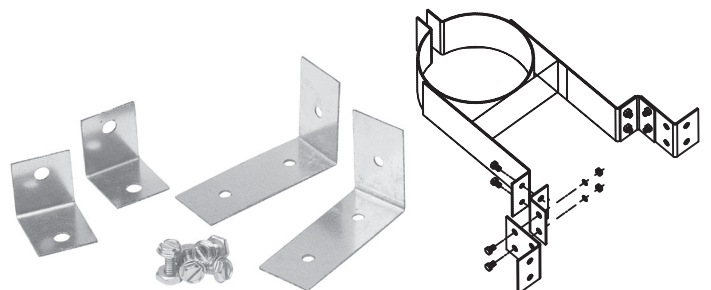
Enables adjustment of standard wall bracket (PWBS) from minimum 3" to maximum 5".

WALL BRACKET - PWB



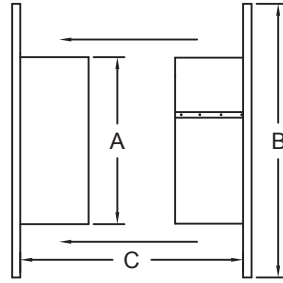
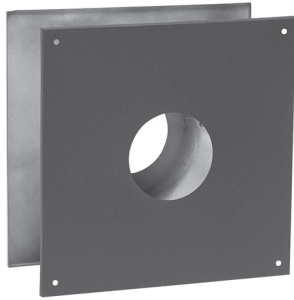
Used to provide lateral support while maintaining proper clearance. Recommended spacing is 6ft. between bands above the starting point.

WALL BRACKET ADJUSTMENT KIT - PWBA



Enables adjustment of standard wall bracket (PWB) from minimum 3" to maximum 5".

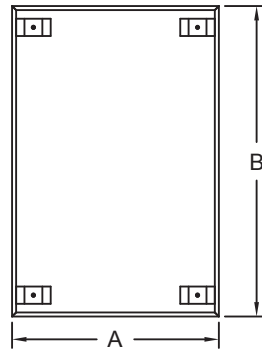
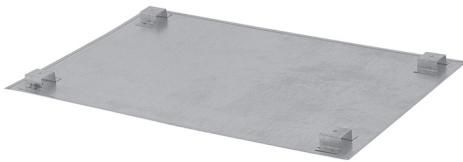
WALL THIMBLE - PWT



SIZE	A	B	C
3"	6.13"	13.00"	5.00" TO 9.50"
4"	7.13"	13.00"	5.00" TO 9.50"

Provides the proper clearance for the pellet/corn pipe when it passes through a combustible wall.

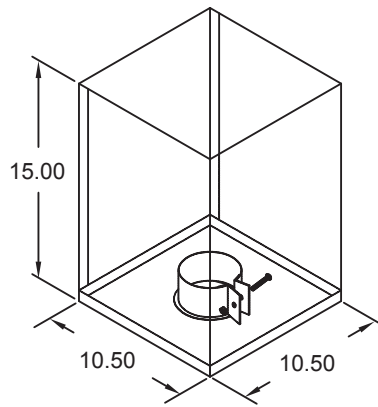
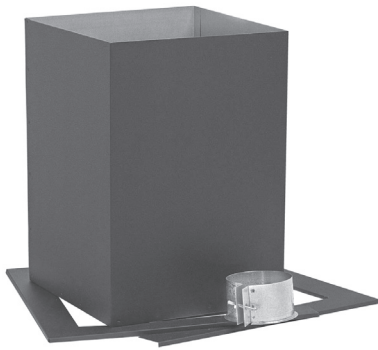
HOUSE SHIELD - PRS



SIZE	A	B
3"	12.00"	18.00"
4"	12.00"	18.00"

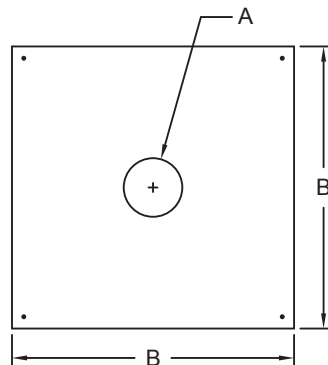
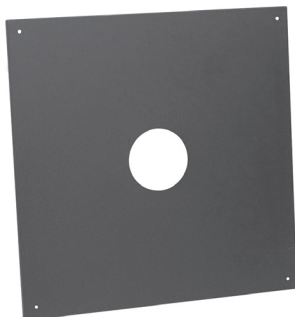
Used in horizontal vent applications to provide extra protection from discharge. When ordering specify part number-PHS for 3" and 4" diameters.

ROOF SUPPORT - PRS



For use on open beamed pitched roofs or ceilings. Includes trim pieces for finishing out installation. Also includes support band.

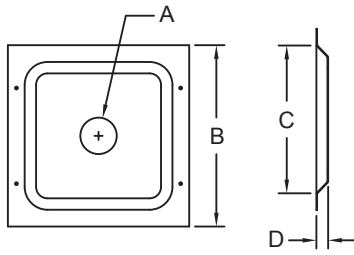
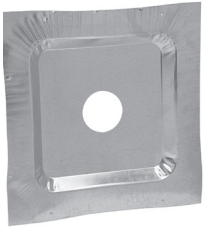
BLACK CEILING PLATE - PCP



SIZE	A	B
3"	3.63"	17.50"
4"	4.63"	17.50"

Used as an exposed surface trim piece where biomass chimney passes through a floor or ceiling.

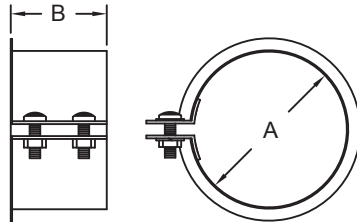
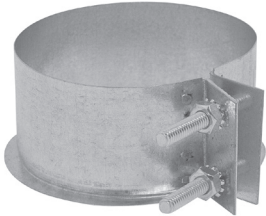
FIRESTOP SPACER - PFS



SIZE	A	B	C	D
3"	3.56"	13.00"	17.50"	1.00"
4"	4.56"	13.00"	17.50"	1.00"

Provides proper clearance where biomass chimney passes through a floor or the ceiling. Serves as a support plate for the support band (sold separately).

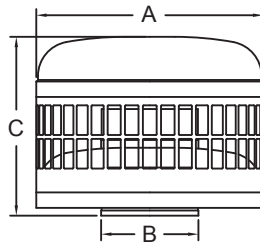
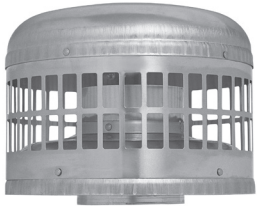
SUPPORT BAND - PSB



SIZE	A	B
3"	3.63"	1.50"
4"	4.63"	1.50"

Used to support the biomass chimney as it passes through the firestop spacer or roof support. This piece typically sits on top of the firestop spacer or inside the roof support.

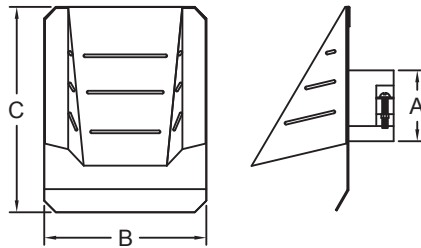
VERTICAL VENT CAP - PRC



SIZE	A	B	C
3"	8.25"	3.00"	6.75"
4"	8.25"	4.00"	6.75"

Stainless steel cap guards against rain, snow, and down drafts. Helps provide proper venting action. Attractive design and enhances appearance.

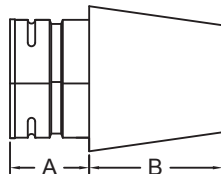
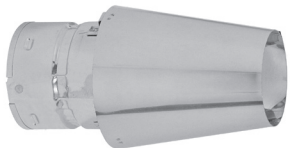
HORIZONTAL VENT CAP - PHC



SIZE	A	B	C
3"	3.50"	7.00"	10.00"
4"	4.50"	7.00"	10.00"

Stainless steel cap prevents entrance of rain and directs flue gases away from house.

HORIZONTAL JET CAP - PJC



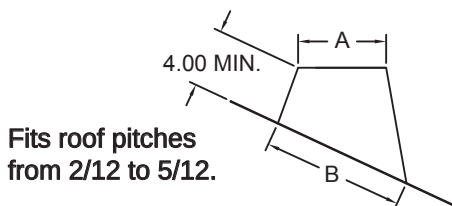
SIZE	A	B
3"	3.00"	5.25"
4"	3.00"	5.25"

STANDARD FLASHING - PF

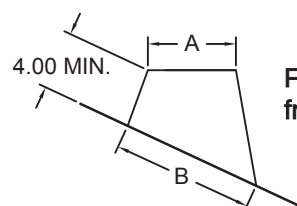
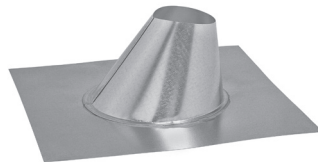
SIZE	A	B	PLATE SIZE
3"	3.63"	7.50"	14.63" x 14.63"
4"	4.63"	7.50"	14.63" x 14.63"

HIGH PITCH FLASHING - PF-12

SIZE	A	B	PLATE SIZE
3"	3.69"	12.00"	20.00" x 20.00"
4"	4.69"	12.00"	20.00" x 20.00"

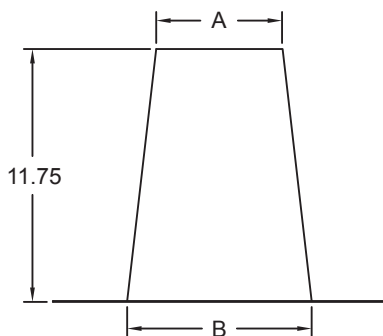
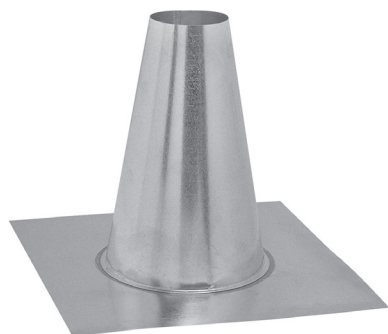


Fits roof pitches from 2/12 to 5/12.



Fits roof pitches from 6/12 to 12/12.

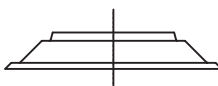
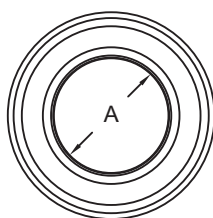
TALL CONE FLASHING - PFT



SIZE	A	B	PLATE SIZE
3"	3.60"	7.50"	14.63" x 14.63"
4"	4.60"	7.50"	14.63" x 14.63"

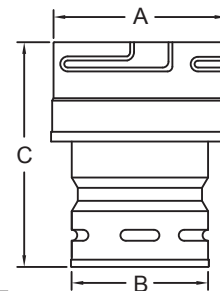
Fits roof pitches from 0/12 to 2/12.

STORM COLLAR - PSC



SIZE	A
3"	3.53"
4"	4.53"

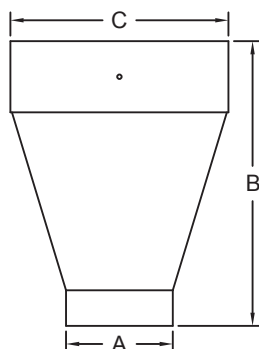
3" to 4" INCREASER - 3PI4



A = 4.00" B = 3.00" B = 5.53"

Provides transition from 3" to 4" diameter pipe.

INCREASERS TO TEMP/GUARD - P6SWA AND P8SWA



SIZE	A	B	C
3P6SWA	3.00"	8.00"	6.13"
4P6SWA	4.00"	8.00"	6.13"
4P8SWA	4.00"	8.00"	8.13"

VERTICAL INSTALLATION KIT - 3PVK



Available in 3" only.
Includes:

- Vertical Cap
- Standard Tee
- 12" Adjustable Length
- Stove Adapter-Standard
- Wall Thimble
- Wall Band/Tee Support
- 2 Wall Bands

HORIZONTAL INSTALLATION KIT - 3PHK



Available in 3" only.
Includes:

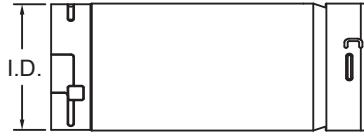
- Horizontal Cap
- Standard Tee
- 90 Degree Elbow
- Stove Adapter-Standard
- Wall Thimble
- Wall Band

Note: Pipe overlaps 1½" when joined together.
Therefore, assembled length is 1½" less than listed length.

Metal-Fab Type "L" Vent is tested and listed to UL 641 for venting high efficiency oil appliances with maximum flue temperatures of 570°F. Double wall construction includes a galvanized exterior jacket, with a stainless inner liner. Available in diameters of 4", 5" and 6". May be used as a connector or as a complete system on oil appliances that are listed as suitable for use with Type "L" Vent.

RIGID PIPE LENGTHS - P48, P36, P24, P12

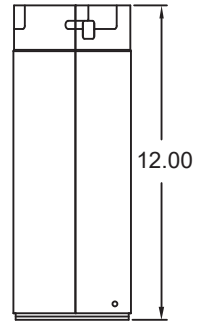
* PS36 & PS48 (5" & 6" only)



Stainless Liner. Galvanized casing.
* Stainless liner. Stainless casing.

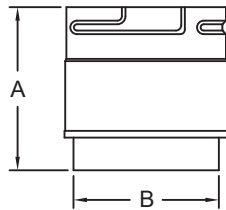
SIZE	I.D.	12"	24"	36"	48"
4"	4.00"	X	X	X	X
5"	5.00"	X	X	X	X
6"	6.00"	X	X	X	X

Adjustable length P12A is used when fixed pipe lengths are inappropriate. Adjustable from 4" to 8".



Diameters 4", 5", 6"

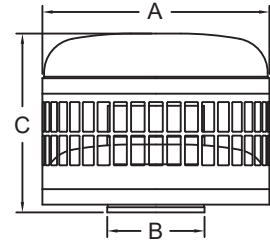
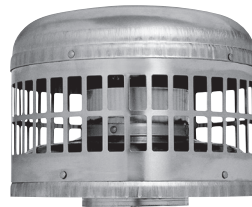
APPLIANCE ADAPTER - PSA



PSA	
A	= 5.00" length
B	= 4.00", 5.00" & 6.00" I.D.

Use as a connector between appliance exhaust collar and the positive twist lock of "L" Vent pipe.

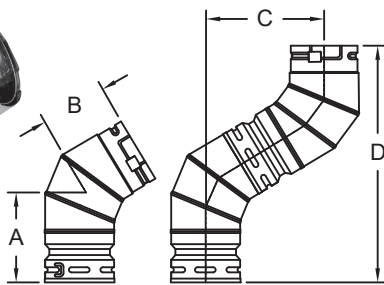
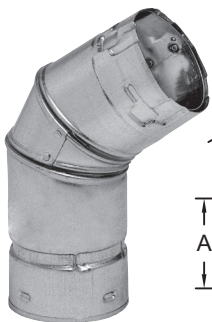
VERTICAL VENT CAP - PRC



SIZE	A	B	C
5"	10.00"	5.50"	6.50"
6"	12.00"	6.50"	6.50"

Stainless steel cap guards against rain, snow, and down drafts. Helps provide proper venting action.

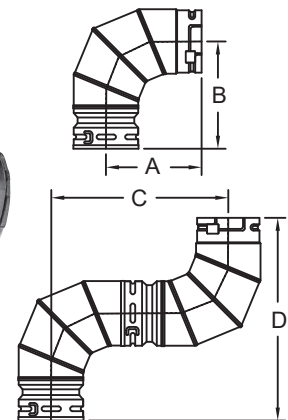
**45° ELBOW - P45
ADJ. IN 5" & 6"
FIXED IN 4"**



SIZE	A	B	C	D
4"	4.50"	3.80"	5.75"	15.37"
5"	5.92"	4.96"	6.63"	17.51"
6"	6.63"	4.02"	6.47"	17.12"

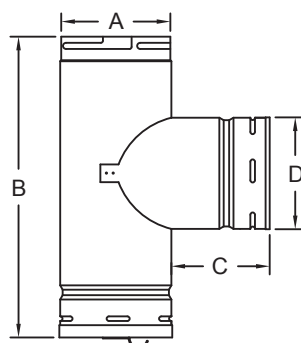
Used to obtain lateral movement around obstructions or to angle the "L" Vent pipe towards the wall thimble.

**90° ELBOW - P90
ADJ. IN 5" & 6"
FIXED IN 4"**



SIZE	A	B	C	D
4"	6.40"	6.50"	12.13"	13.63"
5"	6.17"	6.50"	10.84"	13.90"
6"	5.60"	6.95"	9.70"	13.90"

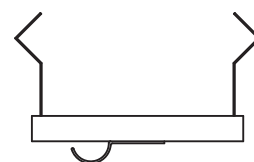
STANDARD TEE W/PULL-OFF TEE CAP - PT



SIZE	A	B	C	D
4"	4.50"	10.13"	3.00"	4.50"
5"	5.50"	11.13"	3.00"	5.50"
6"	6.50"	12.13"	3.00"	6.50"

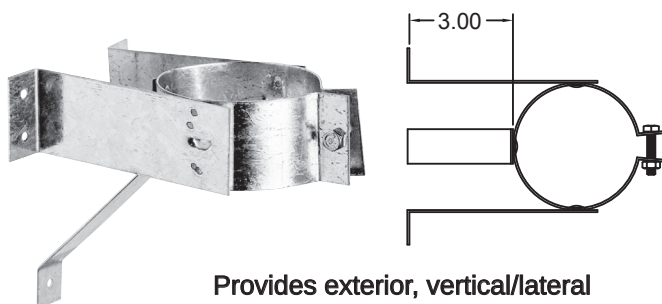
Use tee to transition from horizontal to vertical inside or to an exterior chimney that is mounted to a tee support.

STANDARD TEE CAP - PTC



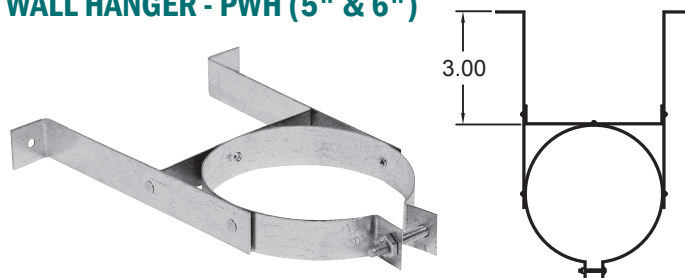
This part number applies when tee cap is sold separately.

COMBINATION WALL BAND/TEE SUPPORT - PWBS



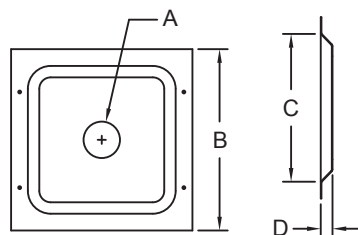
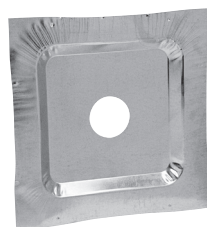
Provides exterior, vertical/lateral support for vent.

**WALL BRACKET - PWB (4")
WALL HANGER - PWH (5" & 6")**



Used to provide lateral support while maintaining proper clearance. Recommended spacing is 6ft. between bands above the starting point.

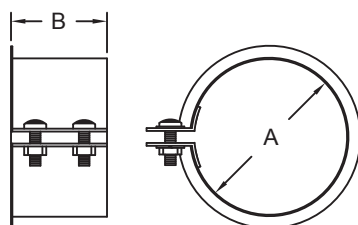
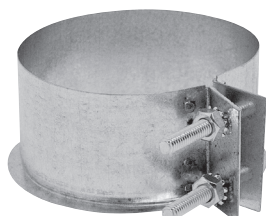
FIRESTOP SPACER - PFS



SIZE	A	B	C	D
4"	4.56"	13.00"	17.37"	1.00"
5"	5.56"	13.00"	17.37"	1.00"
6"	6.56"	13.00"	17.37"	1.00"

Provides proper clearance where biomass chimney passes through a floor or the ceiling. Serves as a support plate for the support band (sold separately).

SUPPORT BAND - PSB

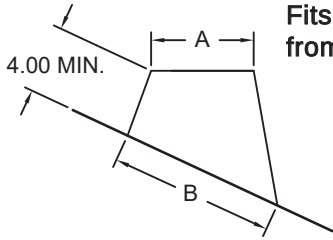


SIZE	A	B
4"	4.56"	1.75"
5"	5.56"	1.75"
6"	6.56"	1.75"

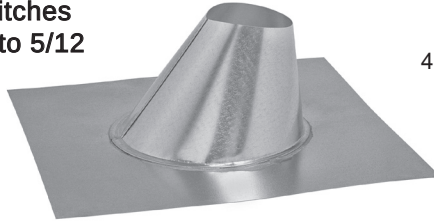
Used to support the "L" Vent pipe as it passes through the firestop spacer. This piece typically sits on top of the firestop spacer.

STANDARD STAINLESS FLASHING – PSF

SIZE	A	B	PLATE SIZE
5"	5.63"	8.25"	14.63" x 14.63"
6"	6.63"	9.50"	17.50" x 17.50"

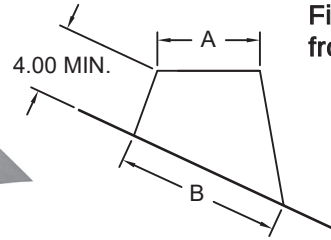


Fits roof pitches from 2/12 to 5/12



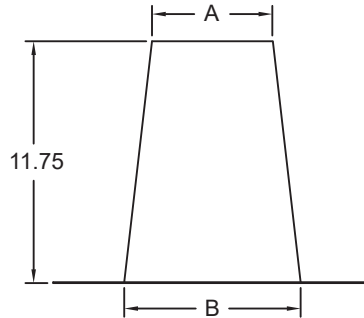
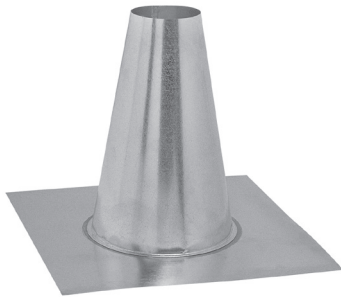
HIGH PITCH STAINLESS FLASHING – PSF-12

SIZE	A	B	PLATE SIZE
5"	5.69"	12.00"	20.00" x 20.00"
6"	6.75"	12.50"	21.00" x 28.00"



Fits roof pitches from 6/12 to 12/12

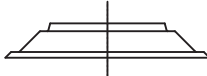
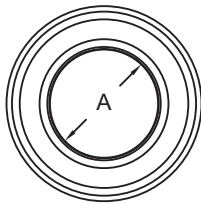
TALL CONE STAINLESS FLASHING – PSFT



SIZE	A	B	PLATE SIZE
5"	5.60"	8.25"	14.63" x 14.63"
6"	6.60"	9.50"	17.00" x 17.00"

Fits roof pitches from 0/12 to 2/12

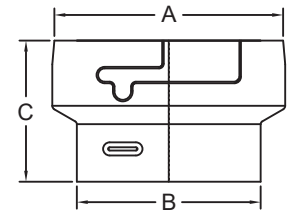
STAINLESS STORM COLLAR – PSSC



SIZE	A
5"	5.53"
6"	6.53"

Used in combination with the flashing to ensure water-tight installation. Slips around the pipe above the flashing.

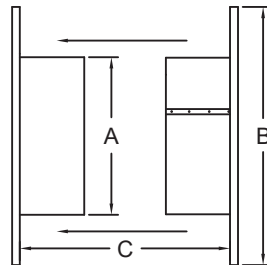
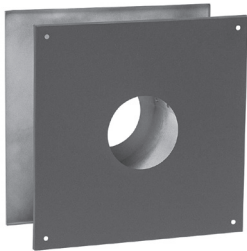
**4" TO 5" INCREASER – 4PI5
5" TO 6" INCREASER – 5PI6**



SIZE	A	B	C
4" TO 5"	5.50"	4.50"	2.68"
5" TO 6"	6.50"	5.50"	2.68"

Provides transition to larger diameter pipe.

WALL THIMBLE – PWT



SIZE	A	B	C
4"	7.00"	13.00"	5.00" TO 9.50"
5"	8.00"	13.00"	5.00" TO 9.50"
6"	9.00"	13.00"	5.00" TO 9.50"

Provides the proper clearance for the "L" Vent pipe when it passes through a combustible wall.



800-835-2830