



MODEL: MSCD BUTTERFLY CEILING RADIATION DAMPER SQUARE/RECTANGULAR



UL CLASSIFIED
(SEE COMPLETE
MARKING ON PRODUCT)



MODEL MSCD: UL 555C Listed for 3-4 hours

Square or rectangular butterfly-type.

STANDARD CONSTRUCTION:

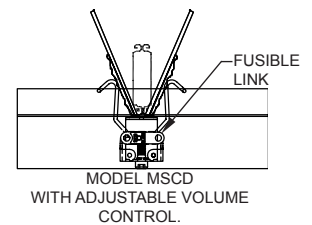
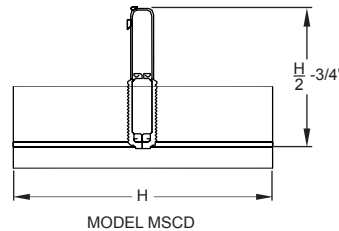
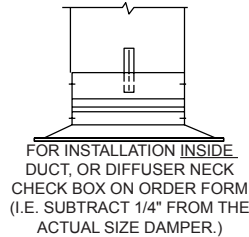
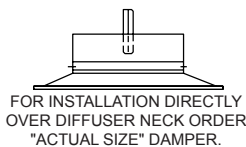
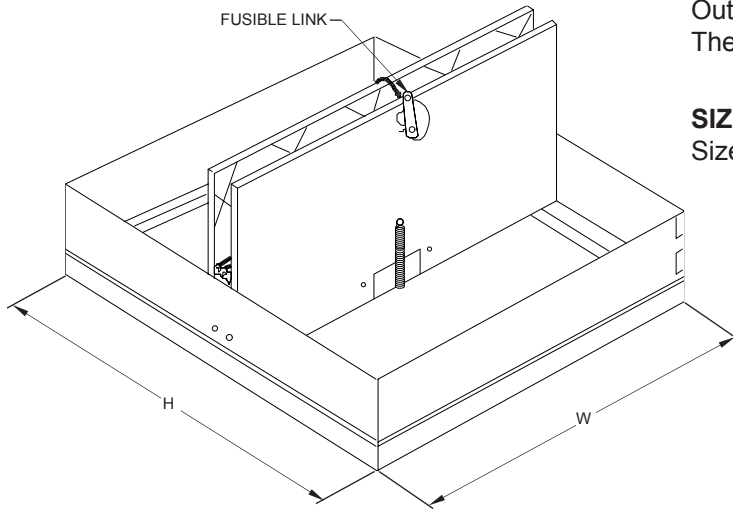
- Frame: Roll formed, 22 Ga. galvanized steel.
- Blades: 22 Ga. galvanized steel.
- Thermal Blanket: Non-asbestos, ceramic blanket on sizes 80 sq. inches and up.
- Spring: Corrosion resistant steel spring.
- Finish: Mill galvanized.

OPTIONS:

- Adjustable Volume Control
- Fusible Link: Replaceable 165°F or 212°F.
- Outlet Transition: Square to Round
- Thermal Blanket: TB5000, 24" x 24" x 1/8" non-asbestos, ceramic blanket.

SIZE LIMITATIONS:

- Sizes: Minimum: 3.75" W or 3.75" H.
- Minimum area: 24 sq. inch (nominal).
- Maximum 22" W x 22" H



SUGGESTED SPECIFICATION

Square and rectangular butterfly type ceiling radiation dampers shall be by Metal-Fab. Ceiling dampers shall bear the Underwriters' Laboratories label and be rated for ductless, flexible duct or steel duct air systems. Ceiling radiation dampers installed directly over ceiling diffuser necks shall require no external damper supports. Ceiling damper insulation shall be of the non-asbestos type. Ceiling dampers shall be furnished with a fusible link.

Project:
Location:
Architect:
Engineer:

Contractor:
Address:
P.O. Number:
Date: