



# MODEL: MRCD BUTTERFLY CEILING RADIATION DAMPER ROUND

**MODEL MRCD:** UL 555C Listed for 3-4 hours (ULC - S112.2)  
Round, butterfly-type.



UL CLASSIFIED  
(SEE COMPLETE  
MARKING ON PRODUCT)



**STANDARD CONSTRUCTION:**

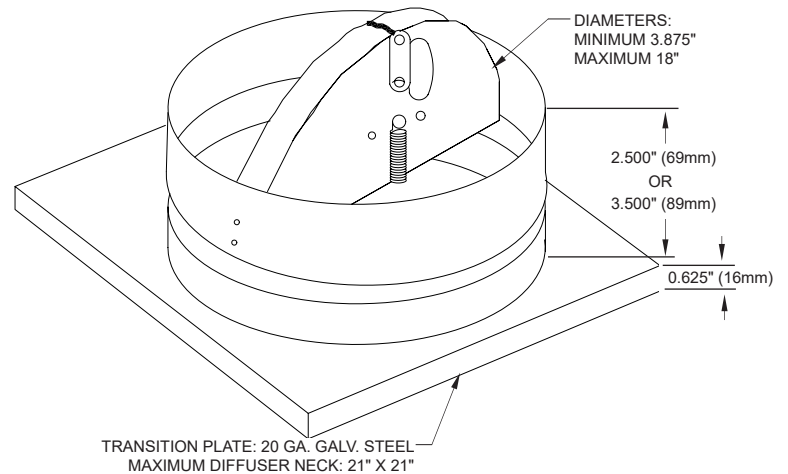
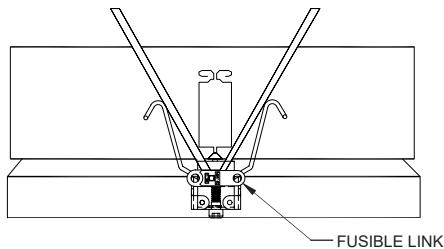
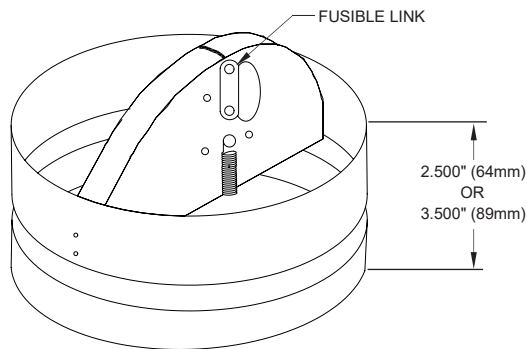
Frame: 22 Ga. galvanized steel.  
Blades: 22 Ga. galvanized steel.  
Thermal Blanket: Non-asbestos, ceramic blanket on sizes 80 sq. inches and up  
Spring: Corrosion resistant steel spring.  
Finish: Mill Galvanized.

**OPTIONS:**

Fusible Link: Replaceable 165°F or 212°F.  
Outlet Transition: Round to Square.  
Thermal Blanket: TB5000, 24" x 24" x 1/8" non-asbestos, ceramic blanket.  
Sleeve: 6" tall  
Frame Height: 2.5" or 3.5"  
Adjustable Volume Control

**SIZE LIMITATIONS:**

Minimum 3.875" dia., Maximum 18" dia.



**MODEL MRCD WITH ADJUSTABLE VOLUME CONTROL**

**MODEL MRCD WITH ROUND TO SQUARE TRANSITION**

**SUGGESTED SPECIFICATION**

Round ceiling damper's shall be Model MRCD by Metal-Fab. Ceiling dampers shall bear the Underwriters' Laboratories label and be rated for both steel duct and flex duct installations. No external damper supports shall be required for ceiling dampers up to and including 18" diameter. Ceiling damper insulation shall be of the non-asbestos type. Ceiling dampers shall be furnished with a fusible link.

Project:	Contractor:
Location:	Address:
Architect:	P.O. Number:
Engineer:	Date: