



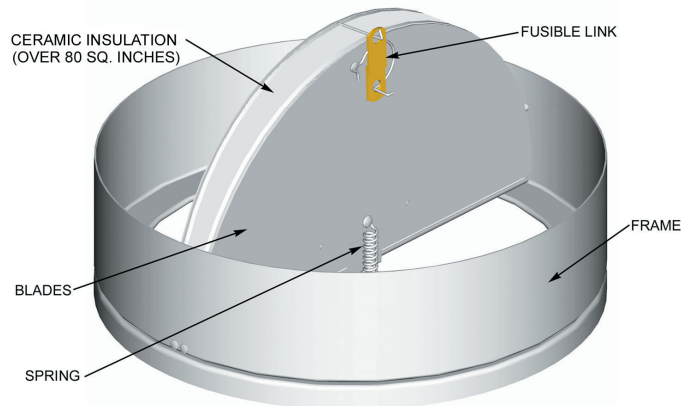
CEILING RADIATION DAMPER MODEL SELECTION GUIDE MODELS: MRCD, MSCD & MCCD

Model MRCD: Metal-Fab Round Ceiling Damper

The frame and blades are galvanized steel. The thermal blanket is a ceramic type. The spring is made of corrosion resistant steel. The MRCD is rated at 3-4 hours. The standard available sizes are 4", 5", 6", 7", 8", 9", 10", 12", 14", 16", and 18" Dia. Inside the grill neck sizes are the same as the standard sizes above minus 1/4" or minus 1/8" (minimum dia. is 3-7/8") and must be ordered accordingly. For example, 4-3/4", or 17-3/4", or 4-7/8", or 17-7/8" Dia,

Configure to Order (CTO) Options:

- #1.) Adjustable volume control / Frame Height
- #2.) Temperature link set-points of 165°F or 212°F.
- #3.) Outlet transition (from round to square)
- #4.) 24" x 24" x 1/8" ceramic blanket (for top of diffuser)
- #5.) 20 ga. galvanized sleeve

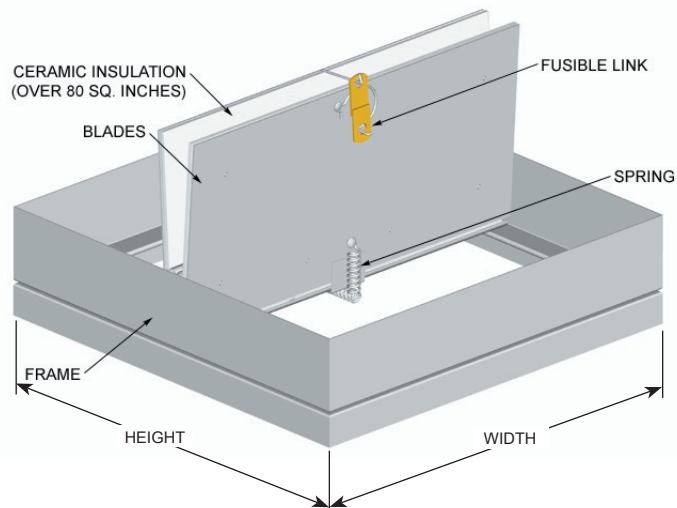


Model MSCD: Metal-Fab Square and Rectangular Ceiling Damper

The frame and blades are galvanized steel. The thermal blanket is a ceramic type. The spring is corrosion resistant steel. The MSCD is rated at 3-4 hours. The minimum frame size is 4"W x 6"H or 6"W x 4"H equaling 24 square inches and maximum size is 22"W x 22"H. MSCD dampers can be ordered within the minimum and maximum sizes, in eighth inch increments.

Configure to Order (CTO) Options:

- #1.) Adjustable volume control
- #2.) Temperature link set-points of 165°F or 212°F.
- #3.) Outlet transition (from square to round)
- #4.) 24" x 24" x 1/8" ceramic blanket (for top of diffuser)
- #5.) 20 ga. galvanized sleeve

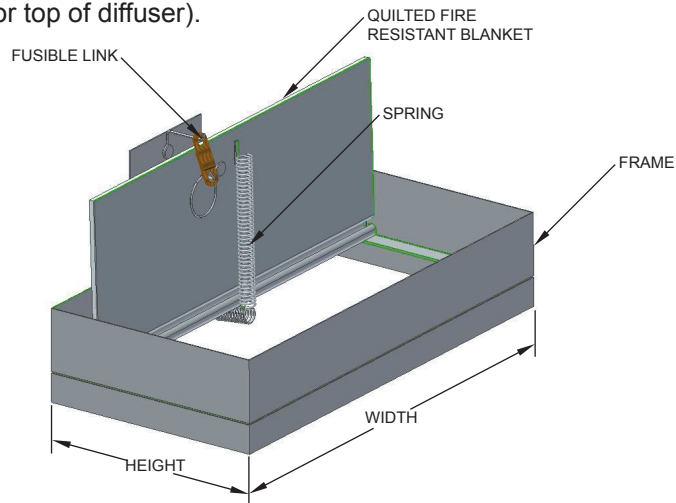


Model MSCDSB: Metal-Fab Single Blade Square and Rectangle Ceiling Damper

The frame and blade are galvanized steel. The thermal blanket is a ceramic type. The spring is corrosion resistant steel. The MSCDSB is rated at 3-4 hours. The minimum frame size is 4"W x 4"H and the maximum size is 22"W x 6" H. MSCDSB dampers can be ordered with in the minimum and maximum sizes, in eighth inch increments.

Configure to Order (CTO) Options:

- #1.) Temperature link set-points of 165°F or 212°F.
- #2.) 24"x24"x1/8" ceramic blanket (for top of diffuser).



Model MCCD: Metal-Fab Curtain Type Ceiling Damper

The frame is galvanized steel and the curtain is a fire resistant, multi-layered, quilted product. The springs are stainless steel. The MCCD is rated at 3-4 hours. The minimum frame size is 6 1/4"W x 3 3/4"H and the maximum size is 24"W x 24"H. MCCD dampers can be ordered within the minimum and maximum sizes, in quarter inch increments.

Configure to Order (CTO) Options:

- #1.) Type-B (Type-B is to remove the curtain stack from the air stream).
- #2.) Temperature link set-points of 165°F or 212°F.
- #3.) Inlet and/or outlet transition (one or two, round to square).
- #4.) 24" x 24" x 1/8" ceramic blanket only (for top of diffuser).
- #5.) Skirt only (ceramic blanket skirt on four sides).
- #6.) Ceramic blanket with skirt

NOTES:

- When ordering a MCCD with a single transition, order model MCCD1. A 11 3/4"W x 11 3/4"H frame with an 7 3/4" Dia. is the only size available.
- When ordering a MCCD with two transitions, order model MCCD2. Frame sizes from 5 3/4" to 23 3/4" with diameters from 5" to 20".
- When ordering a MCCD with a skirt, order model MCCDS. A 23 3/4"W x 23 3/4"H frame is the only size available.

