



PREMIUM BIOMASS WALL THIMBLE W/ AIR INTAKE SUPPLEMENTAL INSTRUCTIONS

General Installation Notes:

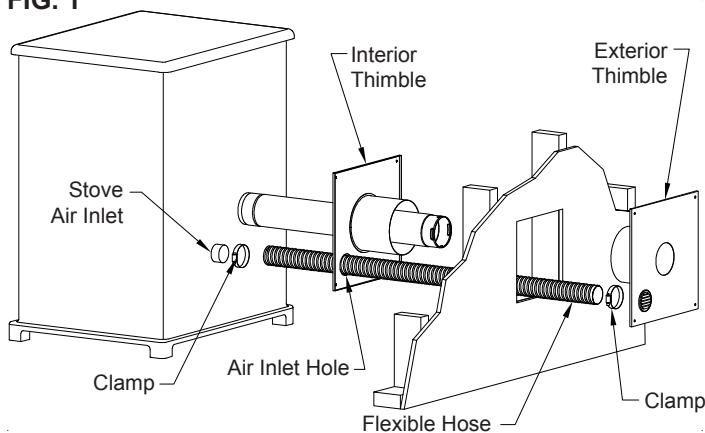
1. These instructions are a supplement to the Premium Biomass Installation Instructions L2779.
2. Carefully read and follow Instructions L2779. Substitute these instructions for the wall thimble installations
3. The Wall Thimble Air Intake kit allows combustion air to be drawn from the outdoors through the thimble opening. This eliminates the need for cutting another opening.

Wall Thimble Air Intake Installation :

1. Cut and frame a 9" x 9" square opening (FIG. 1) in the wall.

Note: The Premium Biomass pipe will not be centered in the opening.

FIG. 1



2. Slide Premium Biomass section(s) into the interior half of Wall Thimble. Insert thimble into interior side of wall opening. Rotate thimble as necessary so that air inlet hole is in the desired corner.
3. Attach flexible hose to louver with clamp on exterior half of Wall Thimble.
4. Insert flexible hose through wall opening and through interior half of Wall Thimble.
5. Pull flexible hose towards appliance and trim excess hose to required length.
6. Secure flexible hose with clamp to combustion air inlet on stove. Only connect metal flexible hose to stove, do not substitute or install plastic flexible hose.
7. Align exterior half of Wall Thimble with inner half. Make sure louver is in same corner as air inlet hole of inner half.

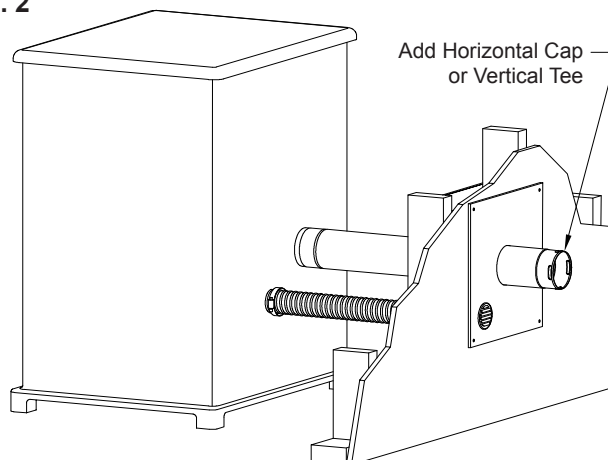
Warning: Do Not install any insulation or other material within the Wall Thimble. Doing so can create fire hazard.

8. Secure both halves of Wall Thimble to wall (FIG. 2).

Note: The two horizontal cylinders of Wall Thimble must engage a minimum of 2".

9. Wall Thimble Air Intake Kit installation is complete. Finish horizontal or vertical vent installation per Instructions L2779.

FIG. 2



P.O. Box 1138 • WICHITA, KANSAS 67201
(316) 943-2351 • 1-800-835-2830
FAX (316) 943-2717

info@metal-fabinc.com • www.metal-fabinc.com