

New

B-Flex™

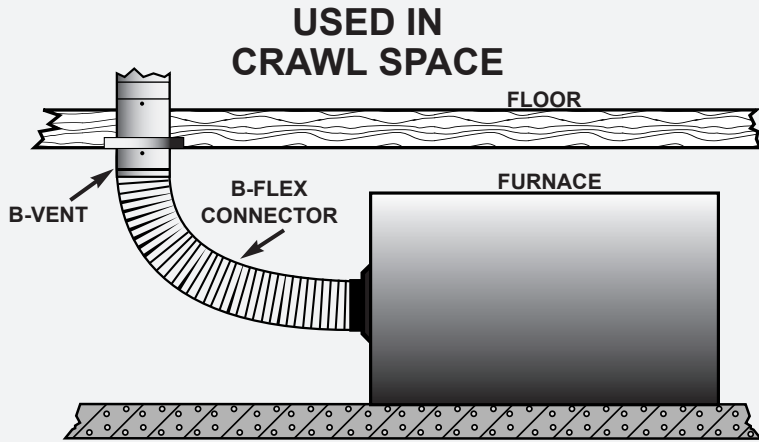
***Flexible double wall
for easy B-Vent
pipe fitting.***



Listed



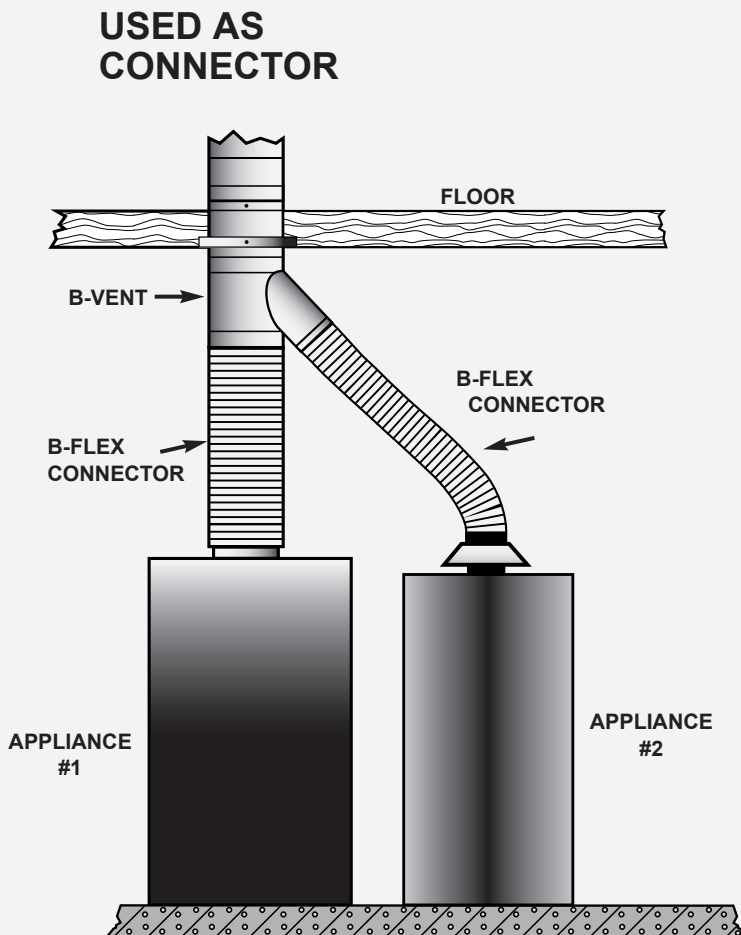
Metal-Fab's Double Wall B-Flex™ can be used as a connector or as a segment of B-Vent in a variety of installations.



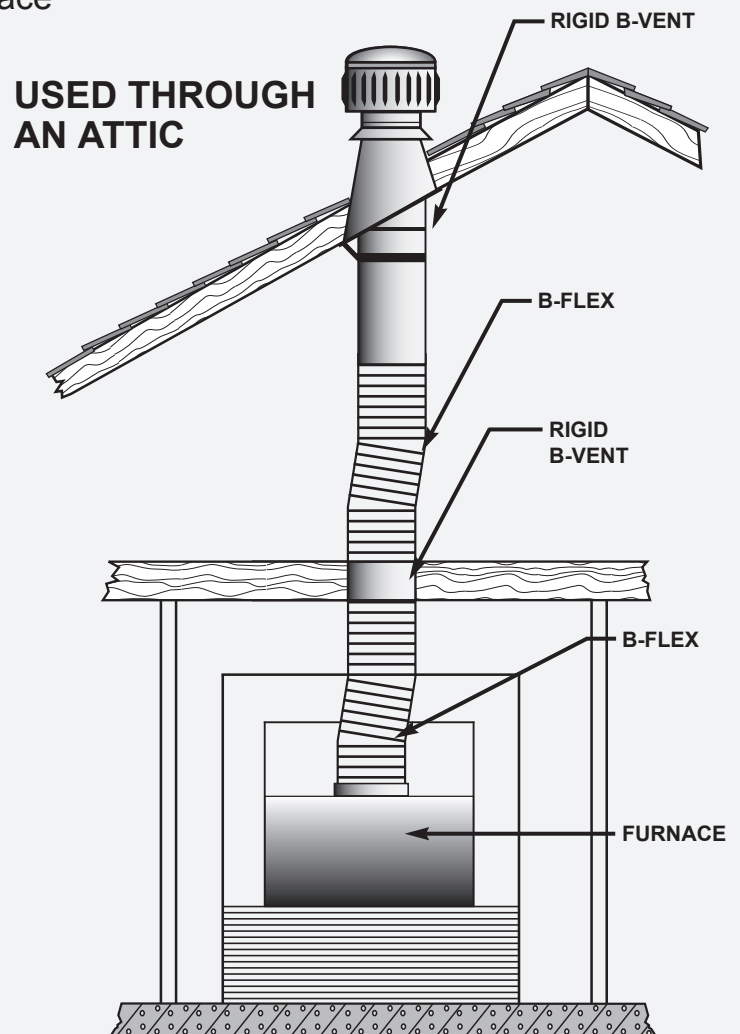
Easily connect furnace located in a crawl space to rigid B-Vent penetration.

Applications

Use B-Flex™ anywhere B-Vent is required, except where pipe penetrates the structure; walls, floors, ceilings, roof.



Make direct connection from one or both appliances to common B-Vent.



Easily connect furnace to termination on conventional installations.

Double wall versatility, flexible advantages.

Quick & Easy

B-Flex™ eliminates measuring, special adapters and assembly of rigid pipe.



Savings

Saves time and labor, a universal solution to connecting appliances to rigid B-Vent.

Convenient

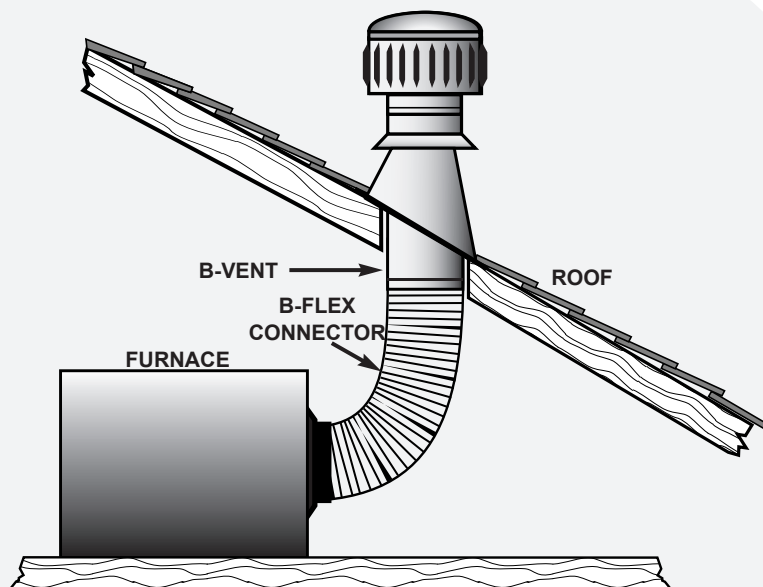
Ready to install right out of the box with factory assembled male and female twist-lock ends, and available in 2'-5' lengths.

Adaptable

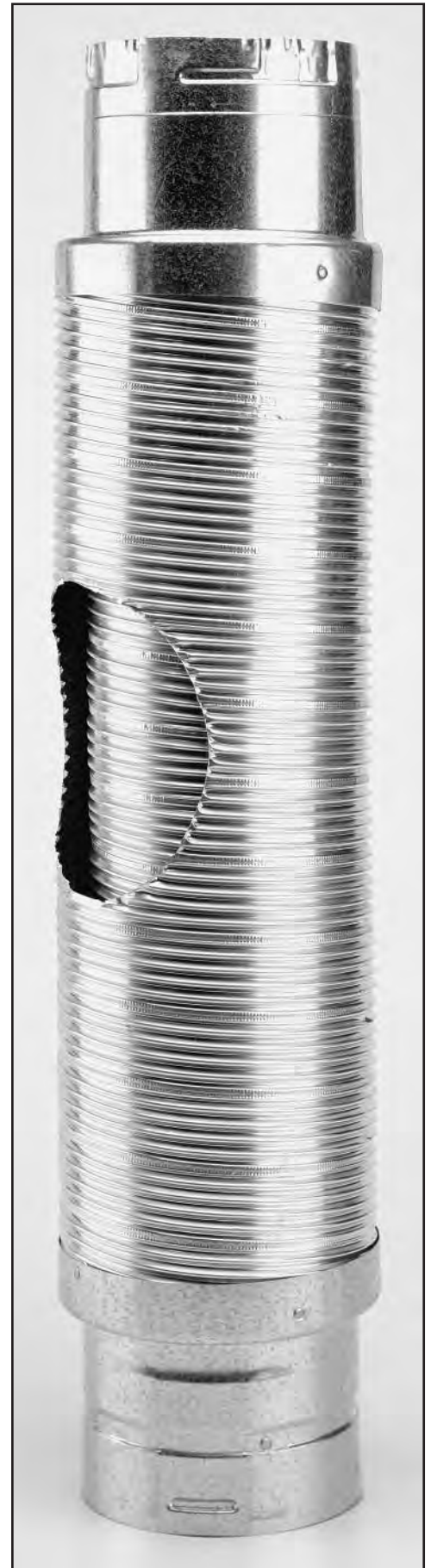
Can be used with other specifically identified and UL Listed round gas vent 3" through 6" diameters.*

- Double-wall construction
- Twist-lock design – Metal-Fab original
- Factory-assembled fittings on both ends
- Pipe design provides maximum flex without kinking

USED IN ATTIC



Make quick connection from attic furnace to rigid B-Vent penetration.



Available in sizes to meet your needs.

**AVAILABLE IN 3", 4", 5", 6" DIAMETERS
2', 3', 4', 5' LENGTHS**



UL Listed for use as connection from appliance to rigid Type-B Gas Vent, and as a segment of B-Vent.

STOCK NO.	DESCRIPTION
MDWF0302	3" DIA. x 2' LENGTH
MDWF0303	3" DIA. x 3' LENGTH
MDWF0304	3" DIA. x 4' LENGTH
MDWF0305	3" DIA. x 5' LENGTH

MDWF0402	4" DIA. x 2' LENGTH
MDWF0403	4" DIA. x 3' LENGTH
MDWF0404	4" DIA. x 4' LENGTH
MDWF0405	4" DIA. x 5' LENGTH

MDWF0502	5" DIA. x 2' LENGTH
MDWF0503	5" DIA. x 3' LENGTH
MDWF0504	5" DIA. x 4' LENGTH
MDWF0505	5" DIA. x 5' LENGTH

MDWF0602	6" DIA. x 2' LENGTH
MDWF0603	6" DIA. x 3' LENGTH
MDWF0604	6" DIA. x 4' LENGTH
MDWF0605	6" DIA. x 5' LENGTH

*Metal-Fab's approval covers connections at both the male (outlet) end, and the female (inlet) end to the following B-Vent products:

General Products Co., Inc.	(Airjet)
American Metal Products Co.	(Amerivent)
Hart & Cooley	(Metlvent)
Household Manufacturing Inc.	(Metalbestos & Airmate)
Mitchell Metal Products Inc.	(Mitchvent)
Selkirk Metalbestos	(Metalbestos)
Simpson Dura-Vent Inc.	(Duravent)
ECCO Heating Products	(ECCO Manufacturing)

At the male (outlet) end of compatible gas vent, add an adapter or adjustable length (M6A, M12A, or M18A) – then add sections of Metal-Fab pipe. At the female (inlet) end of compatible gas vent, simply insert the male end of Metal-Fab B-Vent into the compatible gas vent and secure per instructions.

800-835-2830



P.O. BOX 1138 • WICHITA, KANSAS 67201
(316) 943-2351 • FAX (316) 771-4168

e-mail: info@metal-fabinc.com • www.metal-fabinc.com